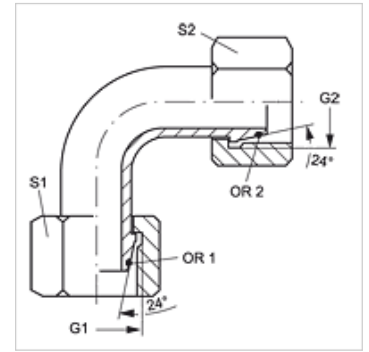


WB90 AOL

Connection socket, angle 90°

Properties

Connection 1	metric nut thread
Sealing form 1	24° outer cone with O-ring
Connection 2	metric nut thread
Sealing form 2	24° outer cone with O-ring
Design	Connecting socket (short pipe bend)
Construction	Angle 90°
Material	Steel
Surface	electro galvanised



Note

Information about fitting, installation, pressure loads and permissible operating temperatures can be found in the technical information for pipe fittings.

Item

Identification	Series	External pipe Ø (mm)	Calculation pressure (bar)	G1 + G2	S1	S2	OR1 + OR2
WB90 NW 04 AOL	L	6	315	M 12 x 1.5	14	14	4.0 x 1.5
WB90 NW 06 AOL	L	8	315	M 14 x 1.5	17	17	6.0 x 1.5
WB90 NW 08 AOL	L	10	315	M 16 x 1.5	19	19	7.5 x 1.5
WB90 NW 10 AOL	L	12	315	M 18 x 1.5	22	22	9.0 x 1.5
WB90 NW 13 AOL	L	15	315	M 22 x 1.5	27	27	12.0 x 2.0
WB90 NW 16 AOL	L	18	315	M 26 x 1.5	32	32	15.0 x 2.0
WB90 NW 20 AOL	L	22	160	M 30 x 2	36	36	20.0 x 2.0
WB90 NW 25 AOL	L	28	160	M 36 x 2	41	41	26.0 x 2.0
WB90 NW 32 AOL	L	35	160	M 45 x 2	50	50	32.0 x 2.5
WB90 NW 40 AOL	L	42	160	M 52 x 2	60	60	38.0 x 2.5

Series: LL = Very light L = Light S = Heavy – SW, S1, S2 = With across flats