

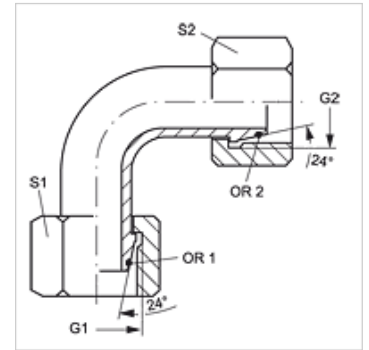
WB90 AOS

Connection socket, angle 90°

HANSA FLEX

Properties

Connection 1	metric nut thread
Sealing form 1	24° outer cone with O-ring
Connection 2	metric nut thread
Sealing form 2	24° outer cone with O-ring
Design	Connecting socket (short pipe bend)
Construction	Angle 90°
Material	Steel
Surface	electro galvanised



Note

Information about fitting, installation, pressure loads and permissible operating temperatures can be found in the technical information for pipe fittings.

Item

Identification	Series	External pipe Ø (mm)	Calculation pressure (bar)	G1 + G2	S1	S2	OR1 + OR2
WB90 NW 03 AOS	S	6	600	M 14 x 1.5	17	17	4.0 x 1.5
WB90 NW 04 AOS	S	8	600	M 16 x 1.5	19	19	6.0 x 1.5
WB90 NW 06 AOS	S	10	600	M 18 x 1.5	22	22	7.5 x 1.5
WB90 NW 08 AOS	S	12	600	M 20 x 1.5	24	24	9.0 x 1.5
WB90 NW 10 AOS	S	14	600	M 22 x 1.5	27	27	10.0 x 2.0
WB90 NW 13 AOS	S	16	400	M 24 x 1.5	30	30	12.0 x 2.0
WB90 NW 16 AOS	S	20	400	M 30 x 2	36	36	16.3 x 2.4
WB90 NW 20 AOS	S	25	400	M 36 x 2	46	46	20.3 x 2.4
WB90 NW 25 AOS	S	30	400	M 42 x 2	50	50	25.3 x 2.4
WB90 NW 32 AOS	S	38	360	M 52 x 2	60	60	33.2 x 2.4

Series: LL = Very light L = Light S = Heavy – SW, S1, S2 = With across flats