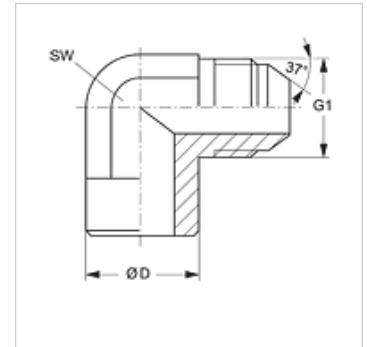
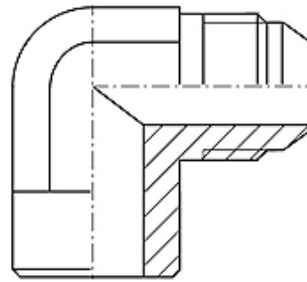


WSA HJ

Welded on adapter, angle 90°

Properties

Connection 1	Welded on socket
Connection 2	UN/UNF external threads
Sealing form 2	74° outer cone
Design	Welded on adapters
Construction	Angle 90°
Material	Steel
Surface	phosphate treated and oiled (Znphr5f)



Item

Identification	G1	Ø D (mm)	AF (mm)
WSA 04 HJ 15	7/16"-20 UNF	15	11
WSA 05 HJ 15	1/2"-20 UNF	15	13
WSA 06 HJ 15	9/16"-18 UNF	15	14
WSA 08 HJ 20	3/4"-16 UNF	20	19
WSA 10 HJ 23	7/8"-14 UNF	23	22
WSA 12 HJ 28	1.1/16"-12 UN	28	27
WSA 14 HJ 34	1.3/16"-12 UN	34	33
WSA 16 HJ 35	1.5/16"-12 UN	35	33
WSA 20 HJ 42	1.5/8"-12 UN	42	41

AF = Width across flats