

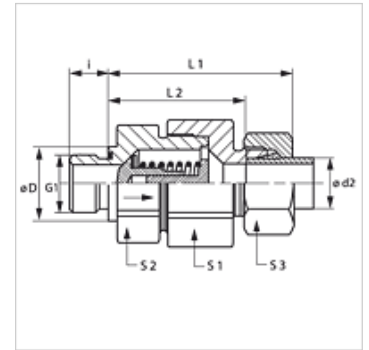
HVM ED

Non-return valve, screw-in connection



Properties

Connection 1	metric cylindrical outer thread
Sealing form 1	Shape E
Connection 2	metric cylindrical outer thread
Sealing form 2	24° inner cone
Design	Non-return valve, screw-in connection
Construction	straight
Scope of supply	Socket with union nut and cutting ring
Material	Steel
Surface	electro galvanised



Note

Information about fitting, installation, pressure loads and permissible operating temperatures can be found in the technical information for pipe fittings.

Description

Direction of flow from screw-in pin

Ordering information

Also available with opening pressure of 0.2; 0.5; 2; 3; 5 bar.

Item

Identification	Opening pressure	Series	Operating pressure	Ø d2 (mm)	G1	Ø D (mm)	i (mm)	L1 (mm)	L2 (mm)	S1	S2	S3
HVM NW 04 HL ED	approx. 1 bar	L	PN 250	6	M 10 x 1	14	8	42,5	28,0	17	17	14
HVM NW 06 HL ED	approx. 1 bar	L	PN 250	8	M 12 x 1.5	17	12	43,5	29,0	19	19	17
HVM NW 08 HL ED	approx. 1 bar	L	PN 250	10	M 14 x 1.5	19	12	53,0	38,5	24	22	19
HVM NW 10 HL ED	approx. 1 bar	L	PN 250	12	M 16 x 1.5	22	12	57,0	42,5	30	27	22
HVM NW 13 HL ED	approx. 1 bar	L	PN 250	15	M 18 x 1.5	24	12	60,5	45,5	32	27	27
HVM NW 16 HL ED	approx. 1 bar	L	PN 160	18	M 22 x 1.5	27	14	66,0	50,0	36	36	32
HVM NW 20 HL ED	approx. 1 bar	L	PN 160	22	M 26 x 1.5	32	16	71,0	55,0	46	41	36
HVM NW 25 HL ED	approx. 1 bar	L	PN 100	28	M 33 x 2	40	18	79,5	63,0	50	55	41
HVM NW 32 HL ED	approx. 1 bar	L	PN 100	35	M 42 x 2	50	20	90,5	69,0	60	60	50
HVM NW 40 HL ED	approx. 1 bar	L	PN 100	42	M 48 x 2	55	22	91,0	68,5	70	65	60
HVM NW 03 HS ED	approx. 1 bar	S	PN 400	6	M 12 x 1.5	17	12	46,0	31,5	19	19	17
HVM NW 04 HS ED	approx. 1 bar	S	PN 400	8	M 14 x 1.5	19	12	46,0	31,5	19	19	19
HVM NW 06 HS ED	approx. 1 bar	S	PN 400	10	M 16 x 1.5	22	12	54,0	38,0	24	22	22
HVM NW 08 HS ED	approx. 1 bar	S	PN 400	12	M 18 x 1.5	24	12	57,0	41,0	27	24	24
HVM NW 10 HS ED	approx. 1 bar	S	PN 315	14	M 20 x 1.5	26	14	62,0	44,5	32	27	27
HVM NW 13 HS ED	approx. 1 bar	S	PN 315	16	M 22 x 1.5	27	14	66,0	48,0	36	32	30
HVM NW 16 HS ED	approx. 1 bar	S	PN 250	20	M 27 x 2	32	16	73,5	52,0	46	41	36
HVM NW 20 HS ED	approx. 1 bar	S	PN 250	25	M 33 x 2	40	18	78,5	54,5	50	46	46
HVM NW 25 HS ED	approx. 1 bar	S	PN 250	30	M 42 x 2	50	20	90,5	64,0	60	60	50
HVM NW 32 HS ED	approx. 1 bar	S	PN 250	38	M 48 x 2	55	22	100,0	69,5	70	65	60

Series: LL = Very light L = Light S = Heavy - PN = Nominal pressure PB = Max. operating pressure - Ø d2 = External pipe diameter

Product versions

HVM ED VA	Non-return valve, screw-in connection, Stainless steel
XHVM ED	Non-return valve, screw-in connection, Steel

Accessories

RD FEDER	Spring for non-return valve
RD FEDER PT	Spring for non-return valve

Spare parts

WD	Soft seal for ED fittings
-----------	---------------------------