

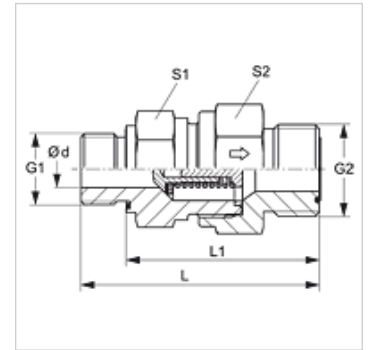
HVM ED HJOF

Non-return valve, screw-in connection

HANSA FLEX

Properties

Connection 1	metric cylindrical outer thread
Sealing form 1	Shape E
Connection 2	ORFS external threads
Sealing form 2	flat seal with O-ring
Design	Non-return valve, screw-in connection
Construction	straight
Material	Steel
Surface	electro galvanised



Description

Direction of flow from screw-in pin

Ordering information

Also available with opening pressure of 0.2; 0.5; 2; 3; 5; 6 bar

Item

Identification	Opening pressure	Operating pressure	Ø d (mm)	G1	G2	L (mm)	L1 (mm)	S1	S2
HVM 12 ED 04 HJOF	approx. 1 bar	PN 400	3,5	M 12 x 1.5	9/16"-18 UNF	48,5	36,5	19	19
HVM 16 ED 06 HJOF	approx. 1 bar	PN 400	5,5	M 16 x 1.5	11/16" -16 UN	56,4	44,5	22	24
HVM 18 ED 08 HJOF	approx. 1 bar	PN 400	7,5	M 18 x 1.5	13/16" -16 UN	61,5	49,5	24	27
HVM 22 ED 10 HJOF	approx. 1 bar	PN 315	11,5	M 22 x 1.5	1" -14 UNS	72,0	58,0	32	36
HVM 27 ED 12 HJOF	approx. 1 bar	PN 250	15,0	M 27 x 2	1.3/16" -12 UN	79,5	63,5	41	46
HVM 33 ED 16 HJOF	approx. 1 bar	PN 250	19,0	M 33 x 2	1.7/16" -12 UN	84,0	66,0	46	50
HVM 42 ED 20 HJOF	approx. 1 bar	PN 250	24,0	M 42 x 2	1.11/16" -12 UN	95,0	75,0	60	60
HVM 48 ED 24 HJOF	approx. 1 bar	PN 250	29,0	M 48 x 2	2" -12 UN	103,0	81,0	65	70

PN = Nominal pressure PB = Max. operating pressure

Spare parts

WD Soft seal for ED fittings