

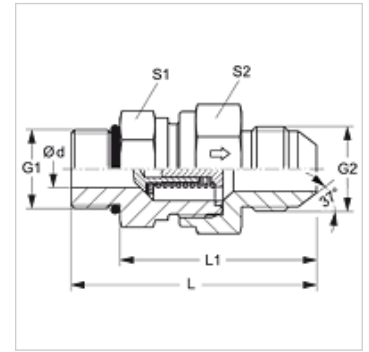
# HVO HJ

Non-return valve, screw-in connection

**HANSA FLEX**

## Properties

<b>Connection 1</b>	UN/UNF external threads
<b>Sealing form 1</b>	O-ring seal
<b>Connection 2</b>	UN/UNF external threads
<b>Sealing form 2</b>	74° outer cone
<b>Design</b>	Non-return valve, screw-in connection
<b>Construction</b>	straight
<b>Material</b>	Steel
<b>Surface</b>	electro galvanised



## Description

Direction of flow from screw-in pin

## Ordering information

Also available with opening pressure of 0.2; 0.5; 2; 3; 5; 6 bar

## Item

Identification	Opening pressure	Operating pressure	Ø d (mm)	G1	G2	L (mm)	L1 (mm)	S1	S2
HVO 04 HJ	approx. 1 bar	PN 350	3,5	7/16"-20 UNF	7/16"-20 UNF	49,5	38,5	19	19
HVO 06 HJ	approx. 1 bar	PN 350	7,5	9/16"-18 UNF	9/16"-18 UNF	59,5	47,5	24	27
HVO 08 HJ	approx. 1 bar	PN 315	9,5	3/4"-16 UNF	3/4"-16 UNF	66,5	52,5	27	32
HVO 10 HJ	approx. 1 bar	PN 315	11,5	7/8"-14 UNF	7/8"-14 UNF	75,0	59,0	32	36
HVO 12 HJ	approx. 1 bar	PN 250	15,0	1.1/16" -12 UN	1.1/16" -12 UN	84,0	65,5	41	46
HVO 16 HJ	approx. 1 bar	PN 250	19,0	1.5/16" -12 UN	1.5/16" -12 UN	88,0	69,5	46	50
HVO 20 HJ	approx. 1 bar	PN 210	24,0	1.5/8" -12 UN	1.5/8" -12 UN	99,5	81,0	60	60
HVO 24 HJ	approx. 1 bar	PN 140	29,0	1.7/8" -12 UN	1.7/8" -12 UN	109,5	91,0	65	70

PN = Nominal pressure PB = Max. operating pressure – SW, S1, S2 = With across flats