

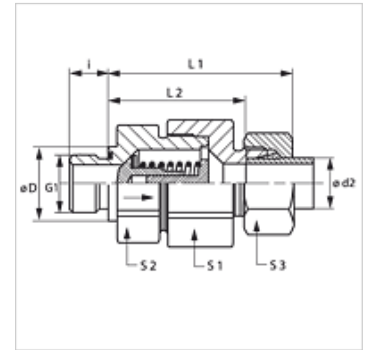
# HVR ED VA

Non-return valve, screw-in connection

**HANSA FLEX**

## Properties

<b>Connection 1</b>	BSP external thread, cylindrical
<b>Sealing form 1</b>	Shape E
<b>Connection 2</b>	metric cylindrical outer thread
<b>Sealing form 2</b>	24° inner cone
<b>Design</b>	Non-return valve, screw-in connection
<b>Construction</b>	straight
<b>Scope of supply</b>	Socket with union nut and cutting ring
<b>Material</b>	Stainless steel



## Note

Information about fitting, installation, pressure loads and permissible operating temperatures can be found in the technical information for pipe fittings.

## Description

Direction of flow from screw-in pin

## Ordering information

Seals of NBR

FPM (Viton) on request

Also available with opening pressure of 0.2; 0.5; 2; 3 bar

## Item

Identification	Opening pressure	Series	Operating pressure	Ø d2 (mm)	G1	Ø D (mm)	i (mm)	L1 (mm)	L2 (mm)	S1	S2	S3
HVR NW 04 HL ED VA	approx. 1 bar	L	PN 250	6	G 1/8" -28	14	8	42,5	28,0	17	17	14
HVR NW 06 HL ED VA	approx. 1 bar	L	PN 250	8	G 1/4" -19	19	12	44,5	30,0	19	19	17
HVR NW 08 HL ED VA	approx. 1 bar	L	PN 250	10	G 1/4" -19	19	12	53,0	38,5	24	22	19
HVR NW 10 HL ED VA	approx. 1 bar	L	PN 250	12	G 3/8" -19	22	12	57,0	42,5	30	27	22
HVR NW 13 HL ED VA	approx. 1 bar	L	PN 250	15	G 1/2" -14	27	14	60,5	45,5	32	27	27
HVR NW 16 HL ED VA	approx. 1 bar	L	PN 160	18	G 1/2" -14	27	14	66,0	50,0	36	36	32
HVR NW 20 HL ED VA	approx. 1 bar	L	PN 160	22	G 3/4" -14	32	16	71,0	55,0	46	41	36
HVR NW 25 HL ED VA	approx. 1 bar	L	PN 100	28	G 1" -11	40	18	79,5	63,0	55	50	41
HVR NW 32 HL ED VA	approx. 1 bar	L	PN 100	35	G 1.1/4" -11	50	20	90,5	69,0	60	60	50
HVR NW 40 HL ED VA	approx. 1 bar	L	PN 100	42	G 1.1/2" -11	55	22	91,0	68,5	70	65	60
HVR NW 03 HS ED VA	approx. 1 bar	S	PN 400	6	G 1/4" -19	19	12	46,0	31,5	19	19	17
HVR NW 04 HS ED VA	approx. 1 bar	S	PN 400	8	G 1/4" -19	19	12	46,0	38,5	19	19	19
HVR NW 06 HS ED VA	approx. 1 bar	S	PN 400	10	G 3/8" -19	22	12	54,0	45,5	24	22	22
HVR NW 08 HS ED VA	approx. 1 bar	S	PN 400	12	G 3/8" -19	22	12	57,0	41,0	27	24	24
HVR NW 10 HS ED VA	approx. 1 bar	S	PN 315	14	G 1/2" -14	27	14	62,0	44,5	32	27	27
HVR NW 13 HS ED VA	approx. 1 bar	S	PN 315	16	G 1/2" -14	27	14	66,0	48,0	36	32	30
HVR NW 16 HS ED VA	approx. 1 bar	S	PN 250	20	G 3/4" -14	32	16	73,5	52,0	46	41	36
HVR NW 20 HS ED VA	approx. 1 bar	S	PN 250	25	G 1" -11	40	18	78,5	54,5	50	46	46
HVR NW 25 HS ED VA	approx. 1 bar	S	PN 250	30	G 1.1/4" -11	50	20	90,5	64,0	60	60	50
HVR NW 32 HS ED VA	approx. 1 bar	S	PN 250	38	G 1.1/2" -11	55	22	100,0	69,5	70	65	60

Series: LL = Very light L = Light S = Heavy - PN = Nominal pressure PB = Max. operating pressure - Ø d2 = External pipe diameter

## Product versions

<b>HVR ED</b>	Non-return valve, screw-in connection, Steel
<b>XHVR ED VA</b>	Non-return valve, screw-in connection, Stainless steel

## Spare parts

<b>WD V</b>	Soft seal for ED fittings
-------------	---------------------------