

HVR ED HJOF

Non-return valve, screw-in connection

HANSA FLEX

Properties

Connection 1 BSP external thread, cylindrical

Sealing form 1 Shape E

Connection 2 ORFS external threads

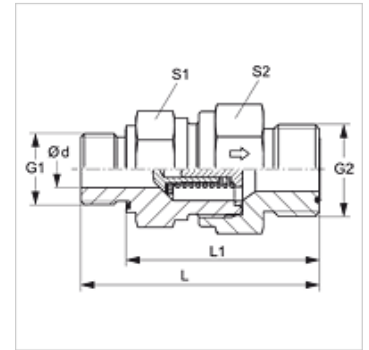
Sealing form 2 flat seal with O-ring

Design Non-return valve, screw-in connection

Construction straight

Material Steel

Surface electro galvanised



Description

Direction of flow from screw-in pin

Ordering information

Also available with opening pressure of 0.2; 0.5; 2; 3; 5; 6 bar

Item

Identification	Opening pressure	Operating pressure	Ø d (mm)	G1	G2	L (mm)	L1 (mm)	S1	S2
HVR 02 ED 04 HJOF	approx. 1 bar	PN 400	3,5	G 1/8" -28	9/16"-18 UNF	44,5	36,5	19	19
HVR 04 ED 06 HJOF	approx. 1 bar	PN 400	6,5	G 1/4" -19	11/16" -16 UN	56,4	44,5	22	24
HVR 06 ED 08 HJOF	approx. 1 bar	PN 400	7,5	G 3/8" -19	13/16" -16 UN	61,5	49,5	24	27
HVR 08 ED 10 HJOF	approx. 1 bar	PN 315	11,5	G 1/2" -14	1" -14 UNS	70,0	56,0	32	36
HVR 12 ED HJOF	approx. 1 bar	PN 250	15,0	G 3/4" -14	1.3/16" -12 UN	77,5	63,5	41	46
HVR 16 ED HJOF	approx. 1 bar	PN 250	19,0	G 1" -11	1.7/16" -12 UN	84,0	66,0	46	50
HVR 20 ED HJOF	approx. 1 bar	PN 250	24,0	G 1.1/4" -11	1.11/16" -12 UN	95,0	75,0	60	60
HVR 24 ED HJOF	approx. 1 bar	PN 250	29,0	G 1.1/2" -11	2" -12 UN	105,0	83,0	65	70

PN = Nominal pressure PB = Max. operating pressure

Spare parts

WD Soft seal for ED fittings