

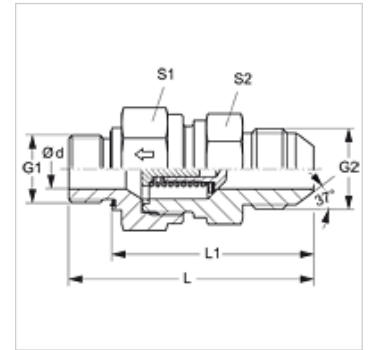
HZM ED HJ

Non-return valve, screw-in connection

HANSA FLEX

Properties

Connection 1	metric cylindrical outer thread
Sealing form 1	Shape E
Connection 2	UN/UNF external threads
Sealing form 2	74° outer cone
Design	Non-return valve, screw-in connection
Construction	straight
Material	Steel
Surface	electro galvanised



Description

Direction of flow to screw-in pin

Ordering information

Also available with opening pressure of 0.2; 0.5; 2; 3; 5; 6 bar

Item

Identification	Opening pressure	Operating pressure	Ø d (mm)	G1	G2	L (mm)	L1 (mm)	S1	S2
HZM 10 ED 04 HJ	approx. 1 bar	PN 350	3,5	M 10 x 1	7/16"-20 UNF	48,0	40,0	19	19
HZM 14 ED 06 HJ	approx. 1 bar	PN 350	7,5	M 14 x 1.5	9/16"-18 UNF	62,0	50,0	24	27
HZM 16 ED 08 HJ	approx. 1 bar	PN 315	9,5	M 16 x 1.5	3/4"-16 UNF	66,0	54,0	27	32
HZM 18 ED 10 HJ	approx. 1 bar	PN 315	11,5	M 18 x 1.5	7/8"-14 UNF	71,5	59,5	32	36
HZM 27 ED 12 HJ	approx. 1 bar	PN 250	15,0	M 27 x 2	1.1/16" -12 UN	82,5	66,5	41	46
HZM 33 ED 16 HJ	approx. 1 bar	PN 250	19,0	M 33 x 2	1.5/16" -12 UN	89,5	71,5	46	50
HZM 42 ED 20 HJ	approx. 1 bar	PN 210	24,0	M 42 x 2	1.5/8" -12 UN	102,0	82,0	60	60
HZM 48 ED 24 HJ	approx. 1 bar	PN 140	29,0	M 48 x 2	1.7/8" -12 UN	115,0	93,0	65	70

PN = Nominal pressure PB = Max. operating pressure

Spare parts

WD Soft seal for ED fittings