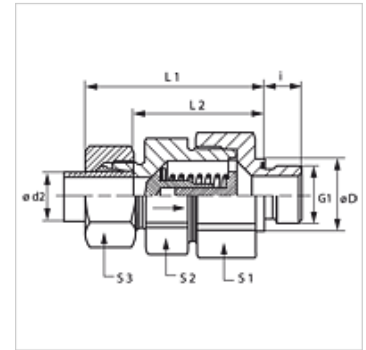


# HZR ED

Non-return valve, screw-in connection



Properties	
Connection 1	BSP external thread, cylindrical
Sealing form 1	Shape E
Connection 2	metric cylindrical outer thread
Sealing form 2	24° inner cone
Design	Non-return valve, screw-in connection
Construction	straight
Scope of supply	Socket with union nut and cutting ring
Material	Steel
Surface	electro galvanised



## Note

Information about fitting, installation, pressure loads and permissible operating temperatures can be found in the technical information for pipe fittings.

## Description

Direction of flow to screw-in pin

## Ordering information

Also available with opening pressure of 0.2; 0.5; 2; 3; 5 bar.

## Item

Identification	Opening pressure	Series	Operating pressure	Ø d2 (mm)	G1	Ø D (mm)	i (mm)	L1 (mm)	L2 (mm)	S1	S2	S3
HZR NW 04 HL ED	approx. 1 bar	L	PN 250	6	G 1/8" -28	14	8	41,0	26,5	17	17	14
HZR NW 06 HL ED	approx. 1 bar	L	PN 250	8	G 1/4" -19	19	12	43,0	28,5	19	19	17
HZR NW 08 HL ED	approx. 1 bar	L	PN 250	10	G 1/4" -19	19	12	53,0	38,5	24	22	19
HZR NW 10 HL ED	approx. 1 bar	L	PN 250	12	G 3/8" -19	22	12	55,0	40,5	30	27	22
HZR NW 13 HL ED	approx. 1 bar	L	PN 250	15	G 1/2" -14	27	14	57,5	42,5	32	27	27
HZR NW 16 HL ED	approx. 1 bar	L	PN 160	18	G 1/2" -14	27	14	64,0	48,0	36	36	32
HZR NW 20 HL ED	approx. 1 bar	L	PN 160	22	G 3/4" -14	32	16	72,0	56,0	46	41	36
HZR NW 25 HL ED	approx. 1 bar	L	PN 100	28	G 1" -11	40	18	80,5	64,0	55	50	41
HZR NW 32 HL ED	approx. 1 bar	L	PN 100	35	G 1.1/4" -11	50	20	91,5	70,0	60	60	50
HZR NW 40 HL ED	approx. 1 bar	L	PN 100	42	G 1.1/2" -11	55	22	93,0	70,5	70	65	60
HZR NW 03 HS ED	approx. 1 bar	S	PN 400	6	G 1/4" -19	19	12	46,0	31,5	19	19	17
HZR NW 04 HS ED	approx. 1 bar	S	PN 400	8	G 1/4" -19	19	12	46,0	31,5	19	19	17
HZR NW 06 HS ED	approx. 1 bar	S	PN 400	10	G 3/8" -19	22	12	54,0	38,0	24	22	22
HZR NW 08 HS ED	approx. 1 bar	S	PN 400	12	G 3/8" -19	22	12	57,0	41,0	27	24	24
HZR NW 10 HS ED	approx. 1 bar	S	PN 315	14	G 1/2" -14	27	14	61,0	43,5	32	27	27
HZR NW 13 HS ED	approx. 1 bar	S	PN 315	16	G 1/2" -14	27	14	64,0	46,0	36	32	30
HZR NW 16 HS ED	approx. 1 bar	S	PN 250	20	G 3/4" -14	32	16	71,5	50,0	46	41	36
HZR NW 20 HS ED	approx. 1 bar	S	PN 250	25	G 1" -11	40	18	78,5	54,5	50	46	46
HZR NW 25 HS ED	approx. 1 bar	S	PN 250	30	G 1.1/4" -11	50	20	90,5	64,0	60	60	50
HZR NW 32 HS ED	approx. 1 bar	S	PN 250	38	G 1.1/2" -11	55	22	102,0	71,5	70	65	60

Series: LL = Very light L = Light S = Heavy - PN = Nominal pressure PB = Max. operating pressure - Ø d2 = External pipe diameter

## Product versions

HZR ED VA	Non-return valve, screw-in connection, Stainless steel
XHZR ED	Non-return valve, screw-in connection, Steel

## Accessories

RD FEDER	Spring for non-return valve
RD FEDER PT	Spring for non-return valve

## Spare parts

WD	Soft seal for ED fittings
----	---------------------------