

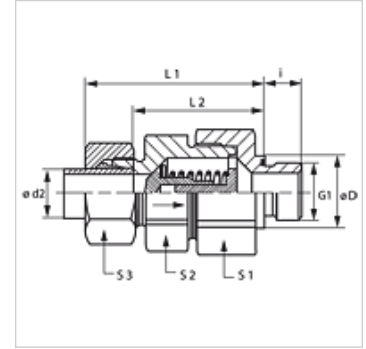
HZR ED VA

Non-return valve, screw-in connection

HANSA FLEX

Properties

Connection 1	BSP external thread, cylindrical
Sealing form 1	Shape E
Connection 2	metric cylindrical outer thread
Sealing form 2	24° inner cone
Design	Non-return valve, screw-in connection
Construction	straight
Standard	DIN 3865
Scope of supply	Socket with union nut and cutting ring
Material	Stainless steel



Note

Information about fitting, installation, pressure loads and permissible operating temperatures can be found in the technical information for pipe fittings.

Description

Direction of flow to screw-in pin

Ordering information

Seals of NBR

FPM (Viton) on request

Also available with opening pressure of 0.2; 0.5; 2; 3 bar

Item

Identification	Opening pressure	Series	Operating pressure	Ø d2 (mm)	G1	Ø D (mm)	i (mm)	L1 (mm)	L2 (mm)	S1	S2	S3
HZR NW 04 HL ED VA	approx. 1 bar	L	PN 250	6	G 1/8" -28	14	8	41,0	26,5	17	17	14
HZR NW 06 HL ED VA	approx. 1 bar	L	PN 250	8	G 1/4" -19	19	12	43,0	28,5	19	19	17
HZR NW 08 HL ED VA	approx. 1 bar	L	PN 250	10	G 1/4" -19	19	12	53,0	38,5	24	22	19
HZR NW 10 HL ED VA	approx. 1 bar	L	PN 250	12	G 3/8" -19	22	12	55,0	40,5	30	27	22
HZR NW 13 HL ED VA	approx. 1 bar	L	PN 250	15	G 1/2" -14	27	14	57,5	42,5	32	27	27
HZR NW 16 HL ED VA	approx. 1 bar	L	PN 160	18	G 1/2" -14	27	14	64,0	48,0	36	36	32
HZR NW 20 HL ED VA	approx. 1 bar	L	PN 160	22	G 3/4" -14	32	16	72,0	56,0	46	41	36
HZR NW 25 HL ED VA	approx. 1 bar	L	PN 100	28	G 1" -11	40	18	80,5	64,0	55	50	41
HZR NW 32 HL ED VA	approx. 1 bar	L	PN 100	35	G 1.1/4" -11	50	20	91,5	70,0	60	60	50
HZR NW 40 HL ED VA	approx. 1 bar	L	PN 100	42	G 1.1/2" -11	55	22	93,0	70,5	70	65	60
HZR NW 03 HS ED VA	approx. 1 bar	S	PN 400	6	G 1/4" -19	19	12	46,0	31,5	19	19	17
HZR NW 04 HS ED VA	approx. 1 bar	S	PN 400	8	G 1/4" -19	19	12	46,0	31,5	19	19	17
HZR NW 06 HS ED VA	approx. 1 bar	S	PN 400	10	G 3/8" -19	22	12	54,0	38,0	24	22	22
HZR NW 08 HS ED VA	approx. 1 bar	S	PN 400	12	G 3/8" -19	22	12	57,0	41,0	27	24	24
HZR NW 10 HS ED VA	approx. 1 bar	S	PN 315	14	G 1/2" -14	27	14	61,0	43,5	32	27	27
HZR NW 13 HS ED VA	approx. 1 bar	S	PN 315	16	G 1/2" -14	27	14	64,0	46,0	36	32	30
HZR NW 16 HS ED VA	approx. 1 bar	S	PN 250	20	G 3/4" -14	32	16	71,5	50,0	46	41	36
HZR NW 20 HS ED VA	approx. 1 bar	S	PN 250	25	G 1" -11	40	18	78,5	54,5	50	46	46
HZR NW 25 HS ED VA	approx. 1 bar	S	PN 250	30	G 1.1/4" -11	50	20	90,5	64,0	60	60	50
HZR NW 32 HS ED VA	approx. 1 bar	S	PN 250	38	G 1.1/2" -11	55	22	102,0	71,5	70	65	60

Series: LL = Very light L = Light S = Heavy - PN = Nominal pressure PB = Max. operating pressure - Ø d2 = External pipe diameter

Product versions

HZR ED	Non-return valve, screw-in connection, Steel
XHZR ED VA	Non-return valve, screw-in connection, Stainless steel

Spare parts

WD V	Soft seal for ED fittings
-------------	---------------------------