

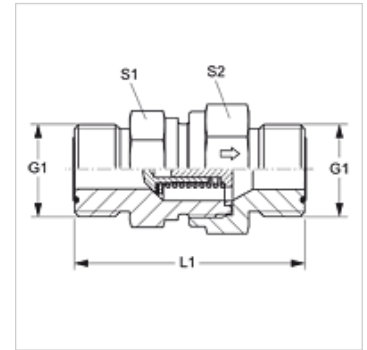
RD HJOF

Non-return valve, connector

HANSA FLEX

Properties

Connection 1 + 2	ORFS external threads
Sealing form 1 + 2	flat seal with O-ring
Design	Non-return valve, connector
Construction	straight
Material	Steel
Surface	electro galvanised



Ordering information

Also available with opening pressure of 0.2; 0.5; 2; 3; 5; 6 bar

Item						
Identification	Opening pressure	Operating pressure	G1	L1 (mm)	S1	S2
RD 04 HJOF	approx. 1 bar	PN 400	9/16" -18 UNF	44,5	19	19
RD 06 HJOF	approx. 1 bar	PN 400	11/16" -16 UN	53,5	22	24
RD 08 HJOF	approx. 1 bar	PN 400	13/16" -16 UN	59,5	24	27
RD 10 HJOF	approx. 1 bar	PN 315	1" -14 UNS	70,5	32	36
RD 12 HJOF	approx. 1 bar	PN 250	1.3/16" -12 UN	77,5	41	46
RD 16 HJOF	approx. 1 bar	PN 250	1.7/16" -12 UN	81,5	46	50
RD 20 HJOF	approx. 1 bar	PN 250	1.11/16" -12 UN	91,5	60	60
RD 24 HJOF	approx. 1 bar	PN 250	2" -12 UN	98,5	65	70

PN = Nominal pressure PB = Max. operating pressure – SW, S1, S2 = With across flats