

# RD IR

## Non-return valve, connector

### Properties

**Connection 1 + 2** BSP cylindrical internal threads

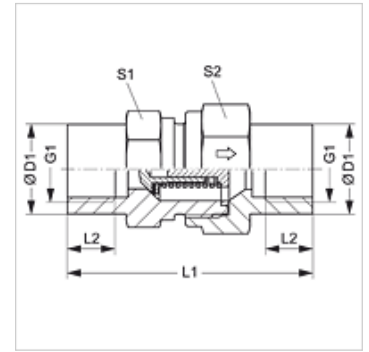
**Sealing form 1 + 2** Shape A

**Design** Non-return valve, connector

**Construction** straight

**Material** Steel

**Surface** electro galvanised



### Item

Identification	Opening pressure	Operating pressure	G1	Ø D1 (mm)	L1 (mm)	L2 (mm)	S1	S2
RD NW 04 IR	approx. 1 bar	PN 400	G 1/8" -28	19,0	42,5	8,0	19	19
RD NW 06 IR	approx. 1 bar	PN 400	G 1/4" -19	19,0	51,0	12,0	19	19
RD NW 10 IR	approx. 1 bar	PN 400	G 3/8" -19	24,0	60,0	12,0	24	27
RD NW 13 IR	approx. 1 bar	PN 315	G 1/2" -14	32,0	72,0	15,0	32	36
RD NW 20 IR	approx. 1 bar	PN 250	G 3/4" -14	41,0	84,0	16,5	41	46
RD NW 25 IR	approx. 1 bar	PN 250	G 1" -11	46,0	95,0	19,0	46	50
RD NW 32 IR	approx. 1 bar	PN 250	G 1.1/4" -11	60,0	110,0	21,5	60	60
RD NW 40 IR	approx. 1 bar	PN 250	G 1.1/2" -11	65,0	114,0	22,0	65	70

PN = Nominal pressure PB = Max. operating pressure – SW, S1, S2 = With across flats

### Product versions

RD IR VA Non-return valve, connector, Stainless steel