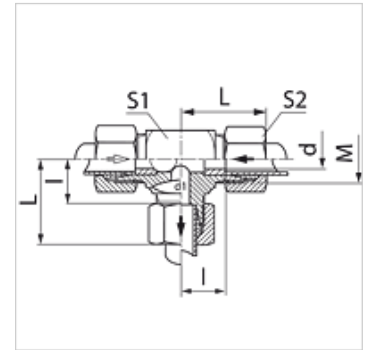


Properties

Connection 1 - 3	metric cylindrical outer thread
Sealing form 1 - 3	24° inner cone
Standard	DIN 3865
Construction	T shaped
Design	Shuttle valve, connector
Scope of supply	Socket with union nut and cutting ring
Material	Steel
Surface	electro galvanised



Note

Information about fitting, installation, pressure loads and permissible operating temperatures can be found in the technical information for pipe fittings.

Description

With two lockable inlets and one outlet.

Item

Identification	Series	Operating pressure	External pipe Ø (mm)	M	d (mm)	l (mm)	L (mm)	S1	S2
WV NW 06 HL	L	PN 160	8	M 14 x 1.5	4,5	14,0	29	14	17
WV NW 08 HL	L	PN 160	10	M 16 x 1.5	6,0	15,0	30	17	19
WV NW 10 HL	L	PN 160	12	M 18 x 1.5	7,5	17,0	32	19	22
WV NW 13 HL	L	PN 160	15	M 22 x 1.5	10,0	21,0	36	19	27
WV NW 03 HS	S	PN 400	6	M 14 x 1.5	3,0	16,0	31	14	17
WV NW 04 HS	S	PN 400	8	M 16 x 1.5	4,5	17,0	32	17	19
WV NW 06 HS	S	PN 400	10	M 18 x 1.5	6,0	17,5	34	19	22
WV NW 08 HS	S	PN 400	12	M 20 x 1.5	7,5	21,5	38	22	24
WV NW 13 HS	S	PN 400	16	M 24 x 1.5	10,0	24,5	43	24	30

Series: LL = Very light L = Light S = Heavy – PN = Nominal pressure PB = Max. operating pressure

Product versions

XWV Shuttle valve, connector, Socket (without union nut and cutting ring)