

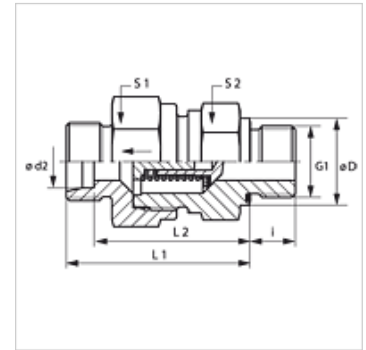
# XHVM ED

Non-return valve, screw-in connection

**HANSA FLEX**

## Properties

<b>Connection 1</b>	metric cylindrical outer thread
<b>Sealing form 1</b>	Shape E
<b>Connection 2</b>	metric cylindrical outer thread
<b>Sealing form 2</b>	24° inner cone
<b>Design</b>	Non-return valve, screw-in connection
<b>Standard</b>	DIN 3865
<b>Scope of supply</b>	Socket (without union nut and cutting ring)
<b>Material</b>	Steel
<b>Surface</b>	electro galvanised



## Note

Information about fitting, installation, pressure loads and permissible operating temperatures can be found in the technical information for pipe fittings.

## Description

Direction of flow from screw-in pin

## Ordering information

Also available with opening pressure of 0.2; 0.5; 2; 3; 5 bar.

## Item

Identification	Opening pressure	Series	Operating pressure	Ø d2 (mm)	G1	Ø D (mm)	i (mm)	L1 (mm)	L2 (mm)	S1	S2
XHVM NW 04 HL ED	approx. 1 bar	L	PN 250	6	M 10 x 1	14	8	35,0	28,0	17	17
XHVM NW 06 HL ED	approx. 1 bar	L	PN 250	8	M 12 x 1.5	17	12	36,0	29,0	19	19
XHVM NW 08 HL ED	approx. 1 bar	L	PN 250	10	M 14 x 1.5	19	12	45,5	38,5	24	22
XHVM NW 10 HL ED	approx. 1 bar	L	PN 250	12	M 16 x 1.5	22	12	49,5	42,5	30	27
XHVM NW 13 HL ED	approx. 1 bar	L	PN 250	15	M 18 x 1.5	24	12	52,5	45,5	32	27
XHVM NW 16 HL ED	approx. 1 bar	L	PN 160	18	M 22 x 1.5	27	14	57,5	50,0	36	36
XHVM NW 20 HL ED	approx. 1 bar	L	PN 160	22	M 26 x 1.5	32	16	62,5	55,0	46	41
XHVM NW 25 HL ED	approx. 1 bar	L	PN 100	28	M 33 x 2	40	18	70,5	63,0	55	50
XHVM NW 32 HL ED	approx. 1 bar	L	PN 100	35	M 42 x 2	50	20	79,5	69,0	60	60
XHVM NW 40 HL ED	approx. 1 bar	L	PN 100	42	M 48 x 2	55	22	79,5	68,5	70	65
XHVM NW 03 HS ED	approx. 1 bar	S	PN 400	6	M 12 x 1.5	17	12	38,5	31,5	19	19
XHVM NW 04 HS ED	approx. 1 bar	S	PN 400	8	M 14 x 1.5	19	12	38,5	31,5	19	19
XHVM NW 06 HS ED	approx. 1 bar	S	PN 400	10	M 16 x 1.5	22	12	45,5	38,0	24	22
XHVM NW 08 HS ED	approx. 1 bar	S	PN 400	12	M 18 x 1.5	24	12	48,5	41,0	27	24
XHVM NW 10 HS ED	approx. 1 bar	S	PN 315	14	M 20 x 1.5	26	14	52,5	44,5	32	27
XHVM NW 13 HS ED	approx. 1 bar	S	PN 315	16	M 22 x 1.5	27	14	56,5	48,0	36	32
XHVM NW 16 HS ED	approx. 1 bar	S	PN 250	20	M 27 x 2	32	16	62,5	52,0	46	41
XHVM NW 20 HS ED	approx. 1 bar	S	PN 250	25	M 33 x 2	40	18	66,5	54,5	50	46
XHVM NW 25 HS ED	approx. 1 bar	S	PN 250	30	M 42 x 2	50	20	77,5	64,0	60	60
XHVM NW 32 HS ED	approx. 1 bar	S	PN 250	38	M 48 x 2	55	22	85,5	69,5	70	65

Series: LL = Very light L = Light S = Heavy – PN = Nominal pressure PB = Max. operating pressure – Ø d2 = External pipe diameter

## Product versions

<b>XHVM ED VA</b>	Non-return valve, screw-in connection, Stainless steel
<b>HVM ED</b>	Non-return valve, screw-in connection, Steel

## Accessories

<b>RD FEDER</b>	Spring for non-return valve
<b>RD FEDER PT</b>	Spring for non-return valve

## Spare parts

<b>WD</b>	Soft seal for ED fittings
-----------	---------------------------