

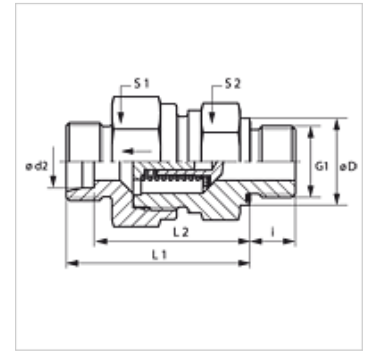
# XHVR ED

Non-return valve, screw-in connection

**HANSA FLEX**

## Properties

<b>Connection 1</b>	BSP external thread, cylindrical
<b>Sealing form 1</b>	Shape E
<b>Connection 2</b>	metric cylindrical outer thread
<b>Sealing form 2</b>	24° inner cone
<b>Design</b>	Non-return valve, screw-in connection
<b>Construction</b>	straight
<b>Standard</b>	DIN 3865
<b>Scope of supply</b>	Socket (without union nut and cutting ring)
<b>Material</b>	Steel
<b>Surface</b>	electro galvanised



## Note

Information about fitting, installation, pressure loads and permissible operating temperatures can be found in the technical information for pipe fittings.

## Description

Direction of flow from screw-in pin

## Ordering information

Also available with opening pressure of 0.2; 0.5; 2; 3; 5 bar.

## Item

Identification	Opening pressure	Series	Operating pressure	Ø d2 (mm)	G1	Ø D (mm)	i (mm)	L1 (mm)	L2 (mm)	S1	S2
XHVR NW 04 HL ED	approx. 1 bar	L	PN 250	6	G 1/8" -28	14	8	35,0	28,0	17	17
XHVR NW 06 HL ED	approx. 1 bar	L	PN 250	8	G 1/4" -19	19	12	37,0	30,0	19	19
XHVR NW 08 HL ED	approx. 1 bar	L	PN 250	10	G 1/4" -19	19	12	45,5	38,5	22	24
XHVR NW 10 HL ED	approx. 1 bar	L	PN 250	12	G 3/8" -19	22	12	49,5	42,5	30	27
XHVR NW 13 HL ED	approx. 1 bar	L	PN 250	15	G 1/2" -14	27	14	52,5	45,5	32	27
XHVR NW 16 HL ED	approx. 1 bar	L	PN 160	18	G 1/2" -14	27	14	57,5	50,0	36	36
XHVR NW 20 HL ED	approx. 1 bar	L	PN 160	22	G 3/4" -14	32	16	62,5	55,0	46	41
XHVR NW 25 HL ED	approx. 1 bar	L	PN 100	28	G 1" -11	40	18	70,5	63,0	55	50
XHVR NW 32 HL ED	approx. 1 bar	L	PN 100	35	G 1.1/4" -11	50	20	79,5	69,0	60	60
XHVR NW 40 HL ED	approx. 1 bar	L	PN 100	42	G 1.1/2" -11	55	22	79,5	68,5	70	65
XHVR NW 03 HS ED	approx. 1 bar	S	PN 400	6	G 1/4" -19	19	12	38,5	31,5	19	19
XHVR NW 04 HS ED	approx. 1 bar	S	PN 400	8	G 1/4" -19	19	12	38,5	31,5	19	19
XHVR NW 06 HS ED	approx. 1 bar	S	PN 400	10	G 3/8" -19	22	12	45,5	38,0	24	22
XHVR NW 08 HS ED	approx. 1 bar	S	PN 400	12	G 3/8" -19	22	12	48,5	41,0	27	24
XHVR NW 10 HS ED	approx. 1 bar	S	PN 315	14	G 1/2" -14	27	14	52,5	44,5	32	27
XHVR NW 13 HS ED	approx. 1 bar	S	PN 315	16	G 1/2" -14	27	14	56,5	48,0	36	32
XHVR NW 16 HS ED	approx. 1 bar	S	PN 250	20	G 3/4" -14	32	16	62,5	52,0	46	41
XHVR NW 20 HS ED	approx. 1 bar	S	PN 250	25	G 1" -11	40	18	66,5	54,5	50	46
XHVR NW 25 HS ED	approx. 1 bar	S	PN 250	30	G 1.1/4" -11	50	20	77,5	64,0	60	60
XHVR NW 32 HS ED	approx. 1 bar	S	PN 250	38	G 1.1/2" -11	55	22	85,5	69,5	70	65

Series: LL = Very light L = Light S = Heavy - PN = Nominal pressure PB = Max. operating pressure - Ø d2 = External pipe diameter

## Product versions

<b>XHVR ED VA</b>	Non-return valve, screw-in connection, Stainless steel
<b>HVR ED</b>	Non-return valve, screw-in connection, Steel

## Accessories

<b>RD FEDER</b>	Spring for non-return valve
<b>RD FEDER PT</b>	Spring for non-return valve



Despite careful checking, we cannot guarantee the accuracy of all information included on this site, and we accept no liability.

28.07.2024

HANSA-FLEX AG

www.hansa-flex.com

1

# XHVR ED

Non-return valve, screw-in connection



## Spare parts

WD Soft seal for ED fittings