

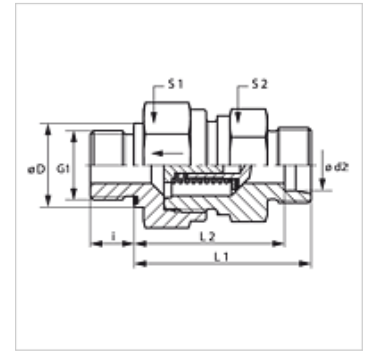
# XHZM ED

Non-return valve, screw-in connection

**HANSA FLEX**

## Properties

<b>Connection 1</b>	metric cylindrical outer thread
<b>Sealing form 1</b>	Shape E
<b>Connection 2</b>	metric cylindrical outer thread
<b>Sealing form 2</b>	24° inner cone
<b>Design</b>	Non-return valve, screw-in connection
<b>Standard</b>	DIN 3865
<b>Scope of supply</b>	Socket (without union nut and cutting ring)
<b>Material</b>	Steel
<b>Surface</b>	electro galvanised



## Note

Information about fitting, installation, pressure loads and permissible operating temperatures can be found in the technical information for pipe fittings.

## Description

Direction of flow to screw-in pin

## Ordering information

Also available with opening pressure of 0.2; 0.5; 2; 3; 5 bar.

## Item

Identification	Opening pressure	Series	Operating pressure	Ø d2 (mm)	G1	Ø D (mm)	i (mm)	L1 (mm)	L2 (mm)	S1	S2
XHZM NW 04 HL ED	approx. 1 bar	L	PN 250	6	M 10 x 1	14	8	33,5	26,5	17	17
XHZM NW 06 HL ED	approx. 1 bar	L	PN 250	8	M 12 x 1.5	-	12	33,5	28,5	19	19
XHZM NW 08 HL ED	approx. 1 bar	L	PN 250	10	M 14 x 1.5	-	12	45,5	38,5	24	22
XHZM NW 10 HL ED	approx. 1 bar	L	PN 250	12	M 16 x 1.5	-	12	47,5	40,5	30	27
XHZM NW 13 HL ED	approx. 1 bar	L	PN 250	15	M 18 x 1.5	-	12	49,5	42,5	32	27
XHZM NW 16 HL ED	approx. 1 bar	L	PN 160	18	M 22 x 1.5	-	14	55,5	48,0	36	36
XHZM NW 20 HL ED	approx. 1 bar	L	PN 160	22	M 26 x 1.5	-	16	63,5	56,0	46	41
XHZM NW 25 HL ED	approx. 1 bar	L	PN 100	28	M 33 x 2	-	18	71,5	64,0	55	50
XHZM NW 32 HL ED	approx. 1 bar	L	PN 100	35	M 42 x 2	-	20	80,5	70,0	60	60
XHZM NW 40 HL ED	approx. 1 bar	L	PN 100	42	M 48 x 2	-	22	81,5	70,5	70	65
XHZM NW 03 HS ED	approx. 1 bar	S	PN 400	6	M 12 x 1.5	-	12	38,5	31,5	19	19
XHZM NW 04 HS ED	approx. 1 bar	S	PN 400	8	M 14 x 1.5	-	12	38,5	31,5	19	19
XHZM NW 06 HS ED	approx. 1 bar	S	PN 400	10	M 16 x 1.5	-	12	45,5	38,0	24	22
XHZM NW 08 HS ED	approx. 1 bar	S	PN 400	12	M 18 x 1.5	-	12	48,5	41,0	27	24
XHZM NW 10 HS ED	approx. 1 bar	S	PN 315	14	M 20 x 1.5	-	14	51,5	43,5	32	27
XHZM NW 13 HS ED	approx. 1 bar	S	PN 315	16	M 22 x 1.5	-	14	54,5	46,0	36	32
XHZM NW 16 HS ED	approx. 1 bar	S	PN 250	20	M 27 x 2	-	16	60,5	50,0	46	41
XHZM NW 20 HS ED	approx. 1 bar	S	PN 250	25	M 33 x 2	-	18	66,5	54,5	50	46
XHZM NW 25 HS ED	approx. 1 bar	S	PN 250	30	M 42 x 2	-	20	77,5	64,0	60	60
XHZM NW 32 HS ED	approx. 1 bar	S	PN 250	38	M 48 x 2	-	22	87,5	71,5	70	65

Series: LL = Very light L = Light S = Heavy - PN = Nominal pressure PB = Max. operating pressure - Ø d2 = External pipe diameter

## Product versions

<b>XHZM ED VA</b>	Non-return valve, screw-in connection, Stainless steel
<b>HZM ED</b>	Non-return valve, screw-in connection, Steel

## Accessories

<b>RD FEDER</b>	Spring for non-return valve
<b>RD FEDER PT</b>	Spring for non-return valve

## Spare parts

<b>WD</b>	Soft seal for ED fittings
-----------	---------------------------