

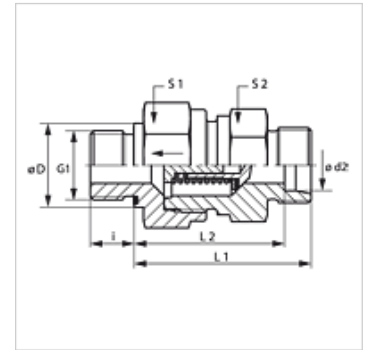
XHZR ED

Non-return valve, screw-in connection

HANSA FLEX

Properties

Connection 1	BSP external thread, cylindrical
Sealing form 1	Shape E
Connection 2	metric cylindrical outer thread
Sealing form 2	24° inner cone
Design	Non-return valve, screw-in connection
Construction	straight
Standard	DIN 3865
Scope of supply	Socket (without union nut and cutting ring)
Material	Steel
Surface	electro galvanised



Note

Information about fitting, installation, pressure loads and permissible operating temperatures can be found in the technical information for pipe fittings.

Description

Direction of flow to screw-in pin

Ordering information

Also available with opening pressure of 0.2; 0.5; 2; 3; 5 bar.

Item

Identification	Opening pressure	Series	Operating pressure	Ø d2 (mm)	G1	Ø D (mm)	i (mm)	L1 (mm)	L2 (mm)	S1	S2
XHZR NW 04 HL ED	approx. 1 bar	L	PN 250	6	G 1/8" -28	14	8	33,5	26,5	17	17
XHZR NW 06 HL ED	approx. 1 bar	L	PN 250	8	G 1/4" -19	19	12	33,5	28,5	19	19
XHZR NW 08 HL ED	approx. 1 bar	L	PN 250	10	G 1/4" -19	19	12	45,5	38,5	24	22
XHZR NW 10 HL ED	approx. 1 bar	L	PN 250	12	G 3/8" -19	22	12	47,5	40,5	30	27
XHZR NW 13 HL ED	approx. 1 bar	L	PN 250	15	G 1/2" -14	27	14	49,5	42,5	32	27
XHZR NW 16 HL ED	approx. 1 bar	L	PN 160	18	G 1/2" -14	27	14	55,5	48,0	36	36
XHZR NW 20 HL ED	approx. 1 bar	L	PN 160	22	G 3/4" -14	32	16	63,5	56,0	46	41
XHZR NW 25 HL ED	approx. 1 bar	L	PN 100	28	G 1" -11	40	18	71,5	64,0	55	50
XHZR NW 32 HL ED	approx. 1 bar	L	PN 100	35	G 1.1/4" -11	50	20	80,5	70,0	60	60
XHZR NW 40 HL ED	approx. 1 bar	L	PN 100	42	G 1.1/2" -11	55	22	81,5	70,5	70	65
XHZR NW 03 HS ED	approx. 1 bar	S	PN 400	6	G 1/4" -19	19	12	38,5	31,5	19	19
XHZR NW 04 HS ED	approx. 1 bar	S	PN 400	8	G 1/4" -19	19	12	38,5	31,5	19	19
XHZR NW 06 HS ED	approx. 1 bar	S	PN 400	10	G 3/8" -19	22	12	45,5	38,0	24	22
XHZR NW 08 HS ED	approx. 1 bar	S	PN 400	12	G 3/8" -19	22	12	48,5	41,0	27	24
XHZR NW 10 HS ED	approx. 1 bar	S	PN 315	14	G 1/2" -14	27	14	51,5	43,5	32	27
XHZR NW 13 HS ED	approx. 1 bar	S	PN 315	16	G 1/2" -14	27	14	54,5	46,0	36	32
XHZR NW 16 HS ED	approx. 1 bar	S	PN 250	20	G 3/4" -14	32	16	60,5	50,0	46	41
XHZR NW 20 HS ED	approx. 1 bar	S	PN 250	25	G 1" -11	40	18	66,5	54,5	50	46
XHZR NW 25 HS ED	approx. 1 bar	S	PN 250	30	G 1.1/4" -11	50	20	77,5	64,0	60	60
XHZR NW 32 HS ED	approx. 1 bar	S	PN 250	38	G 1.1/2" -11	55	22	87,5	71,5	70	65

Series: LL = Very light L = Light S = Heavy - PN = Nominal pressure PB = Max. operating pressure - Ø d2 = External pipe diameter

Product versions

XHZR ED VA	Non-return valve, screw-in connection, Stainless steel
HZR ED	Non-return valve, screw-in connection, Steel

Accessories

RD FEDER	Spring for non-return valve
RD FEDER PT	Spring for non-return valve



Despite careful checking, we cannot guarantee the accuracy of all information included on this site, and we accept no liability.

19.04.2026

HANSA-FLEX AG

www.hansa-flex.com

1

XHZR ED

Non-return valve, screw-in connection



Spare parts

WD Soft seal for ED fittings