

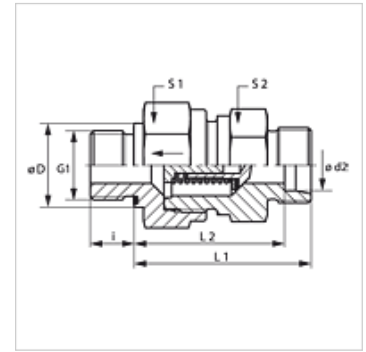
XHZR ED VA

Non-return valve, screw-in connection

HANSA FLEX

Properties

Connection 1	BSP external thread, cylindrical
Sealing form 1	Shape E
Connection 2	metric cylindrical outer thread
Sealing form 2	24° inner cone
Design	Non-return valve, screw-in connection
Construction	straight
Standard	DIN 3865
Scope of supply	Socket (without union nut and cutting ring)
Material	Stainless steel



Note

Information about fitting, installation, pressure loads and permissible operating temperatures can be found in the technical information for pipe fittings.

Description

Direction of flow to screw-in pin

Ordering information

Seals of NBR

FPM (Viton) on request

Also available with opening pressure of 0.2; 0.5; 2; 3 bar

Item

Identification	Opening pressure	Series	Operating pressure	Ø d2 (mm)	G1	Ø D (mm)	i (mm)	L1 (mm)	L2 (mm)	S1	S2
XHZR NW 04 HL ED VA	approx. 1 bar	L	PN 250	6	G 1/8" -28	14	8	33,5	26,5	17	17
XHZR NW 06 HL ED VA	approx. 1 bar	L	PN 250	8	G 1/4" -19	19	12	33,5	28,5	19	19
XHZR NW 08 HL ED VA	approx. 1 bar	L	PN 250	10	G 1/4" -19	19	12	45,5	38,5	24	22
XHZR NW 10 HL ED VA	approx. 1 bar	L	PN 250	12	G 3/8" -19	22	12	47,5	40,5	30	27
XHZR NW 13 HL ED VA	approx. 1 bar	L	PN 250	15	G 1/2" -14	27	14	49,5	42,5	32	27
XHZR NW 16 HL ED VA	approx. 1 bar	L	PN 160	18	G 1/2" -14	27	14	55,5	48,0	36	36
XHZR NW 20 HL ED VA	approx. 1 bar	L	PN 160	22	G 3/4" -14	32	16	63,5	56,0	46	41
XHZR NW 25 HL ED VA	approx. 1 bar	L	PN 100	28	G 1" -11	40	18	71,5	64,0	55	50
XHZR NW 32 HL ED VA	approx. 1 bar	L	PN 100	35	G 1.1/4" -11	50	20	80,5	70,0	60	60
XHZR NW 40 HL ED VA	approx. 1 bar	L	PN 100	42	G 1.1/2" -11	55	22	81,5	70,5	70	65
XHZR NW 03 HS ED VA	approx. 1 bar	S	PN 400	6	G 1/4" -19	19	12	38,5	31,5	19	19
XHZR NW 04 HS ED VA	approx. 1 bar	S	PN 400	8	G 1/4" -19	19	12	38,5	31,5	19	19
XHZR NW 06 HS ED VA	approx. 1 bar	S	PN 400	10	G 3/8" -19	22	12	45,5	38,0	24	22
XHZR NW 08 HS ED VA	approx. 1 bar	S	PN 400	12	G 3/8" -19	22	12	48,5	41,0	27	24
XHZR NW 10 HS ED VA	approx. 1 bar	S	PN 315	14	G 1/2" -14	27	14	51,5	43,5	32	27
XHZR NW 13 HS ED VA	approx. 1 bar	S	PN 315	16	G 1/2" -14	27	14	54,5	46,0	36	32
XHZR NW 16 HS ED VA	approx. 1 bar	S	PN 250	20	G 3/4" -14	32	16	60,5	50,0	46	41
XHZR NW 20 HS ED VA	approx. 1 bar	S	PN 250	25	G 1" -11	40	18	66,5	54,5	50	46
XHZR NW 25 HS ED VA	approx. 1 bar	S	PN 250	30	G 1.1/4" -11	50	20	77,5	64,0	60	60
XHZR NW 32 HS ED VA	approx. 1 bar	S	PN 250	38	G 1.1/2" -11	55	22	87,5	71,5	70	65

Series: LL = Very light L = Light S = Heavy – PN = Nominal pressure PB = Max. operating pressure – Ø d2 = External pipe diameter

Product versions

XHZR ED Non-return valve, screw-in connection, Steel

HZR ED VA Non-return valve, screw-in connection, Stainless steel

Spare parts

WD V Soft seal for ED fittings