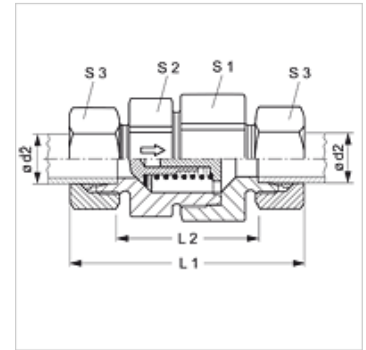


Properties

Connection 1 + 2	metric cylindrical outer thread
Sealing form 1 + 2	24° inner cone
Design	Non-return valve, connector
Construction	straight
Standard	DIN 3865
Scope of supply	Socket (without union nut and cutting ring)
Material	Steel
Surface	electro galvanised



Note

Information about fitting, installation, pressure loads and permissible operating temperatures can be found in the technical information for pipe fittings.

Ordering information

Also available with opening pressure of 0.2; 0.5; 2; 3; 5 bar.

Item

Identification	Opening pressure	Series	Operating pressure	Ø d2 (mm)	G1	L1 (mm)	L2 (mm)	S1	S2
XRD NW 04 HL	approx. 1 bar	L	PN 250	6	M 12 x 1.5	58,0	29,0	17	17
XRD NW 06 HL	approx. 1 bar	L	PN 250	8	M 14 x 1.5	59,0	30,0	19	19
XRD NW 08 HL	approx. 1 bar	L	PN 250	10	M 16 x 1.5	69,5	40,5	24	22
XRD NW 10 HL	approx. 1 bar	L	PN 250	12	M 18 x 1.5	72,5	43,5	30	27
XRD NW 13 HL	approx. 1 bar	L	PN 250	15	M 22 x 1.5	77,5	47,5	32	27
XRD NW 16 HL	approx. 1 bar	L	PN 160	18	M 26 x 1.5	83,5	51,5	36	36
XRD NW 20 HL	approx. 1 bar	L	PN 160	22	M 30 x 2	93,5	61,5	46	41
XRD NW 25 HL	approx. 1 bar	L	PN 100	28	M 36 x 2	102,5	69,5	55	50
XRD NW 32 HL	approx. 1 bar	L	PN 100	35	M 45 x 2	117,5	74,5	60	60
XRD NW 40 HL	approx. 1 bar	L	PN 100	42	M 52 x 2	119,0	74,0	70	65
XRD NW 03 HS	approx. 1 bar	S	PN 400	6	M 14 x 1.5	63,5	34,5	19	17
XRD NW 04 HS	approx. 1 bar	S	PN 400	8	M 16 x 1.5	63,5	34,5	19	17
XRD NW 06 HS	approx. 1 bar	S	PN 400	10	M 18 x 1.5	72,5	40,5	24	22
XRD NW 08 HS	approx. 1 bar	S	PN 400	12	M 20 x 1.5	74,5	42,5	27	24
XRD NW 10 HS	approx. 1 bar	S	PN 315	14	M 22 x 1.5	82,5	47,5	32	27
XRD NW 13 HS	approx. 1 bar	S	PN 315	16	M 24 x 1.5	86,5	50,5	36	32
XRD NW 16 HS	approx. 1 bar	S	PN 250	20	M 30 x 2	97,5	54,5	41	38
XRD NW 20 HS	approx. 1 bar	S	PN 250	25	M 36 x 2	106,5	58,5	50	46
XRD NW 25 HS	approx. 1 bar	S	PN 250	30	M 42 x 2	122,5	69,5	60	55
XRD NW 32 HS	approx. 1 bar	S	PN 250	38	M 52 x 2	136,5	75,5	70	65

Ø = External pipe diameter – Series: LL = Very light L = Light S = Heavy – PN = Nominal pressure PB = Max. operating pressure

Product versions

XRD VA	Non-return valve, connector, Stainless steel
RD	Non-return valve, connector, Steel

Accessories

RD FEDER	Spring for non-return valve
RD FEDER PT	Spring for non-return valve