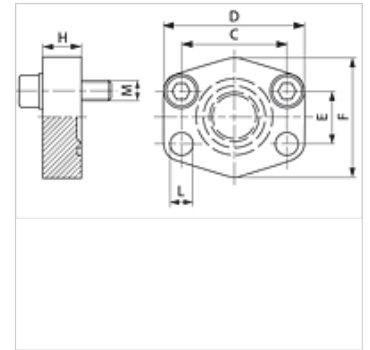


AFC M (3000 / 6000 PSI)

SAE sealing flange

Properties

Standard	SAE J 518 C ISO 6162
Construction	straight
Design	SAE sealing flange
Mounting	Screw bore hole
Scope of supply	with metric screw set and O-ring
Material	S355J2G3 (ST52.3)
Surface	black oiled



Note

The stated maximum working pressure relates to the flange. The actual working pressure is determined by the pipe (wall thickness) and the quality of the pipe.

Item

Identification	Pressure series	PB 10.9 (bar)	Size	C (mm)	D (mm)	E (mm)	F (mm)	H (mm)	L (mm)	M metr.
AFC 80 M	3000 PSI	350	1/2"	38,1	56	17,5	48	16	9,0	M 8 x 30
AFC 100 M	3000 PSI	350	3/4"	47,6	65	22,2	50	16	11,0	M 10 x 35
AFC 102 M	3000 PSI	315	1"	52,4	70	26,2	60	19	11,0	M 10 x 35
AFC 104 M	3000 PSI	250	1.1/4"	58,7	79	30,2	68	18	11,5	M 10 x 40
AFC 106 M	3000 PSI	200	1.1/2"	69,9	93	35,7	78	20	13,5	M 12 x 45
AFC 108 M	3000 PSI	200	2"	77,8	102	42,9	90	20	13,5	M 12 x 45
AFC 110 M	3000 PSI	160	2.1/2"	88,9	114	50,8	105	20	13,5	M 12 x 45
AFC 112 M	3000 PSI	138	3"	106,4	134	61,9	124	24	17,5	M 16 x 50
AFC 114 M	3000 PSI	35	3.1/2"	120,7	152	69,9	136	22	17,5	M 16 x 50
AFC 116 M	3000 PSI	35	4"	130,2	162	77,8	146	25	17,5	M 16 x 50
AFC 118 M	3000 PSI	35	5"	152,4	190	92,1	170	28	17,5	M 16 x 50
AFC 401 M	6000 PSI	400	1/2"	40,5	56	18,2	48	16	9,0	M 8 x 30
AFC 402 M	6000 PSI	400	3/4"	50,8	71	23,8	60	19	11,0	M 10 x 35
AFC 403 M	6000 PSI	400	1"	57,2	81	27,8	70	24	13,0	M 12 x 45
AFC 404 M	6000 PSI	400	1.1/4"	66,7	95	31,8	78	27	15,0	M 14 x 45
AFC 405 M	6000 PSI	400	1.1/2"	79,4	112	36,5	94	30	17,0	M 16 x 50
AFC 406 M	6000 PSI	400	2"	96,8	134	44,5	114	28	21,0	M 20 x 65

PN = Nominal pressure PB = Max. operating pressure

Product versions

AFC U (3000 / 6000 PSI)	SAE sealing flange, with UNC screw set and O-ring
AFC (3000 / 6000 PSI)	SAE sealing flange, flange only