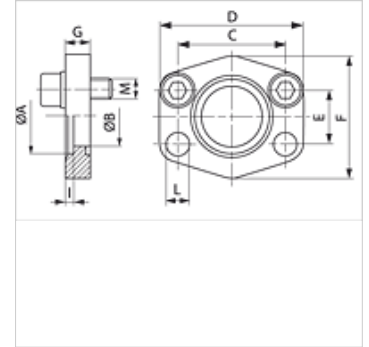


AFC S M (3000 PSI)

SAE socket weld flange, ND 40

Properties

Pressure series	3000 psi
Standard	SAE J 518 C ISO 6162
Construction type	ND 40
Construction	straight
Design	SAE socket weld flange
Mounting	Screw bore hole
Scope of supply	with metric screw set and O-ring
Material	S355J2G3 (ST52.3)
Surface	black oiled



Note

The stated maximum working pressure relates to the flange. The actual working pressure is determined by the pipe (wall thickness) and the quality of the pipe.

Item

Identification	PB 10.9 (bar)	Size	Pipe	A (mm)	Ø B (mm)	C (mm)	D (mm)	E (mm)	F (mm)	G (mm)	I (mm)	L (mm)	M metr.
AFC 80 S M	40	1/2"	22 x 2	22,5	15	38,1	56	17,5	46	10	3	9,0	M 8 x 25
AFC 100 S M	40	3/4"	28 x 2	28,5	20	47,6	65	22,2	50	12	4	11,0	M 10 x 30
AFC 102 S M	40	1"	35 x 2	35,5	29	52,4	70	26,2	55	12	4	11,0	M 10 x 30
AFC 104 S M	40	1.1/4"	42 x 2	42,5	34	58,7	79	30,2	68	12	4	11,5	M 10 x 30
AFC 106 S M	40	1.1/2"	48.3 x 3.25	49,0	42	69,9	93	35,7	78	15	4	13,5	M 12 x 35
AFC 108 S M	40	2"	60.3 x 3.65	61,0	53	77,8	102	42,9	90	15	4	13,5	M 12 x 35
AFC 110 S M	40	2.1/2"	76.1 x 3.65	77,0	64	88,9	114	50,8	105	15	4	13,5	M 12 x 35
AFC 112 S M	40	3"	88.9 x 4.05	90,0	80	106,4	134	61,9	124	20	5	17,5	M 16 x 40
AFC 114 S M	35	3.1/2"	101.6 x 4.5	103,0	93	120,7	152	69,9	136	20	5	17,5	M 16 x 40
AFC 116 S M	35	4"	114.3 x 4.5	116,0	105	130,2	162	77,8	146	25	6	17,5	M 16 x 45
AFC 118 S M	35	5"	139.7 x 4.85	141,0	126	152,4	190	92,1	170	28	8	17,5	M 16 x 45

PN = Nominal pressure PB = Max. operating pressure

Product versions

AFC S (3000 PSI) SAE socket weld flange, ND 40, flange only