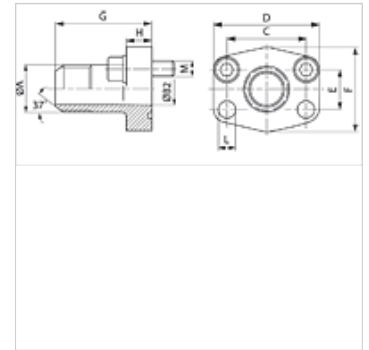


AFG JIC (3000 PSI)

SAE external thread flange

Properties

Pressure series	3000 psi
Standard	SAE J 518 C ISO 6162
Construction	straight
Design	SAE external thread flange
Mounting	Screw bore hole
Scope of supply	flange only
Material	S355J2G3 (ST52.3)
Surface	black oiled



Note

The stated maximum working pressure relates to the flange. The actual working pressure is determined by the pipe (wall thickness) and the quality of the pipe.

Recommended screws are listed in the columns M (metr) and M (unc).

Item

Identification	PB 10.9 (bar)	Size	A	Ø B (mm)	C (mm)	D (mm)	E (mm)	F (mm)	G (mm)	H (mm)	L (mm)	M metr.	M unc
AFG 80 JIC 3/4	350	1/2"	UNF 3/4" -16	9,9	38,1	54	17,5	46	52	13	9,0	M 8 x 30	5/16" x 1.1/4"
AFG 80 JIC 7/8	350	1/2"	UNF 7/8" -14	12,3	38,1	54	17,5	46	52	13	9,0	M 8 x 30	3/8" x 1.1/4"
AFG 100 JIC 1 1/16	350	3/4"	UNF 1 1/16" -12	15,5	47,6	65	22,2	50	60	14	11,5	M 10 x 30	3/8" x 1.1/4"
AFG 102 JIC 1 5/16	315	1"	UN 1.5/16" -12	21,5	52,4	70	26,2	55	63	16	11,5	M 10 x 30	3/8" x 1.1/4"
AFG 104 JIC 1 5/16	250	1.1/4"	UN 1.5/16" -12	21,5	58,7	79	30,2	68	65	14	11,5	M 10 x 30	7/16" x 1.1/2"
AFG 104 JIC 1 5/8	250	1.1/4"	UN 1.5/8" -12	27,5	58,7	79	30,2	68	65	14	11,5	M 10 x 30	7/16" x 1.1/2"
AFG 106 JIC 1 7/8	200	1.1/2"	UN 1.7/8" -12	33,0	69,9	94	35,7	78	70	16	13,5	M 12 x 35	1/2" x 1.1/2"

PN = Nominal pressure PB = Max. operating pressure – Series: LL = Very light L = Light S = Heavy – Ø = External pipe diameter

Product versions

AFG JIC U (3000 / 6000 PSI)	SAE external thread flange, with UNC screw set and O-ring
AFG JIC M (3000 / 6000 PSI)	SAE external thread flange, with metric screw set and O-ring