

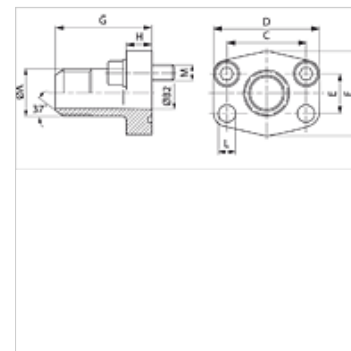
AFG JIC U (3000 / 6000 PSI)

SAE external thread flange

HANSA FLEX

Properties

Standard	SAE J 518 C ISO 6162
Construction	straight
Design	SAE external thread flange
Mounting	Screw bore hole
Scope of supply	with UNC screw set and O-ring
Material	S355J2G3 (ST52.3)
Surface	black oiled



Note

The stated maximum working pressure relates to the flange. The actual working pressure is determined by the pipe (wall thickness) and the quality of the pipe.

Item

Identification	Pressure series	PB 10.9	Size	A	Ø B	C	D	E	F	G	H	L	M unc
		(bar)			(mm)	(mm)	(mm)	(mm)	(mm)	(mm)	(mm)	(mm)	
AFG 80 JIC 3/4 U	3000 PSI	350	1/2"	UNF 3/4" -16	9,9	38,1	54	17,5	46	52	13	9,0	5/16" x 1.1/4"
AFG 80 JIC 7/8 U	3000 PSI	350	1/2"	UNF 7/8" -14	12,3	38,1	54	17,5	46	52	13	9,0	3/8" x 1.1/4"
AFG 100 JIC 1 1/16 U	3000 PSI	350	3/4"	UNF 1 1/16" -12	15,5	47,6	65	22,2	50	60	14	11,5	3/8" x 1.1/4"
AFG 102 JIC 1 5/16 U	3000 PSI	315	1"	UN 1.5/16" -12	21,5	52,4	70	26,2	55	63	16	11,5	3/8" x 1.1/4"
AFG 104 JIC 1 5/16 U	3000 PSI	250	1.1/4"	UN 1.5/16" -12	21,5	58,7	79	30,2	68	65	14	11,5	7/16" x 1.1/2"
AFG 104 JIC 1 5/8 U	3000 PSI	250	1.1/4"	UN 1.5/8" -12	27,5	58,7	79	30,2	68	65	14	11,5	7/16" x 1.1/2"
AFG 106 JIC 1 7/8 U	3000 PSI	200	1.1/2"	UN 1.7/8" -12	33,0	69,9	94	35,7	78	70	16	13,5	1/2" x 1.1/2"
AFG 401 JIC 3/4 U	6000 PSI	400	1/2"	UNF 3/4" -16	9,9	40,5	56	18,2	48	60	16	9,0	5/16" x 1.1/4"
AFG 401 JIC 7/8 U	6000 PSI	400	1/2"	UNF 7/8" -14	12,3	40,5	56	18,2	48	60	16	9,0	5/16" x 1.1/4"
AFG 402 JIC 1 1/16 U	6000 PSI	400	3/4"	UNF 1 1/16" -12	15,5	50,8	71	23,8	60	73	19	11,5	3/8" x 1.1/2"
AFG 403 JIC 1 5/16 U	6000 PSI	400	1"	UN 1.5/16" -12	21,5	57,2	81	27,8	70	82	24	13,0	7/16" x 1.3/4"
AFG 404 JIC 1 5/16 U	6000 PSI	400	1.1/4"	UN 1.5/16" -12	21,5	66,7	95	31,8	78	92	27	13,5	1/2" x 1.3/4"
AFG 404 JIC 1 5/8 U	6000 PSI	400	1.1/4"	UN 1.5/8" -12	27,5	66,7	95	31,8	78	92	27	13,5	1/2" x 1.3/4"
AFG 405 JIC 1 7/8 U	6000 PSI	400	1.1/2"	UN 1.7/8" -12	33,0	79,4	113	36,5	95	96	30	17,5	5/8" x 2"

PN = Nominal pressure PB = Max. operating pressure - Series: LL = Very light L = Light S = Heavy - Ø = External pipe diameter

Product versions

AFG JIC (3000 PSI)	SAE external thread flange, flange only
AFG JIC M (3000 / 6000 PSI)	SAE external thread flange, with metric screw set and O-ring