

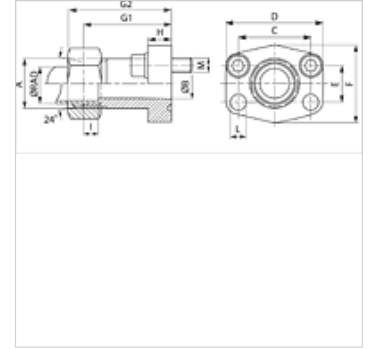
AFG M U (3000 / 6000 PSI)

SAE external thread flange



Properties

Standard	DIN 3901/3902
Construction	straight
Design	SAE external thread flange
Mounting	Screw bore hole
Scope of supply	with UNC screw set and O-ring
Material	S355J2G3 (ST52.3)
Surface	black oiled



Note

In accordance with SAE J 518 C, the specified nominal pressure is defined by the flange or based on the pipe to be welded on.

Item

Identification	Pressure series	Series	Ø RAD (mm)	PB 10.9 (bar)	Size	A	Ø B (mm)	C (mm)	D (mm)	E (mm)	F (mm)	G1 (mm)	G2 (mm)	H (mm)	I (mm)	L (mm)	M unc
AFG 80 M/L 15 U	3000 PSI	L	15	315	1/2"	M22x1,5	12	38,1	54	17,5	46	52	60	13	7,0	9,0	5/16" x 1.1/4"
AFG 100 M/L 22 U	3000 PSI	L	22	160	3/4"	M30x2	19	47,6	65	22,2	50	60	69	14	7,5	11,5	3/8" x 1.1/4"
AFG 100 M/S 20 U	3000 PSI	S	20	345	3/4"	M30x2	16	47,6	65	22,2	50	60	73	14	10,5	11,5	3/8" x 1.1/4"
AFG 102 M/L 28 U	3000 PSI	L	28	160	1"	M36x2	24	52,4	70	26,2	55	63	72	16	7,5	11,5	3/8" x 1.1/4"
AFG 102 M/S 20 U	3000 PSI	S	20	315	1"	M30x2	16	52,4	70	26,2	55	63	76	16	10,5	11,5	3/8" x 1.1/4"
AFG 102 M/S 25 U	3000 PSI	S	25	315	1"	M36x2	20	52,4	70	26,2	55	63	75	16	12,0	11,5	3/8" x 1.1/4"
AFG 104 M/L 28 U	3000 PSI	L	28	160	1.1/4"	M36x2	24	58,7	79	30,2	68	65	74	14	7,5	11,5	7/16" x 1.1/2"
AFG 104 M/L 35 U	3000 PSI	L	35	160	1.1/4"	M45x2	29	58,7	79	30,2	68	65	76	14	10,5	11,5	7/16" x 1.1/2"
AFG 104 M/S 30 U	3000 PSI	S	30	250	1.1/4"	M42x2	25	58,7	79	30,2	68	65	78	14	13,5	11,5	7/16" x 1.1/2"
AFG 106 M/L 42 U	3000 PSI	L	42	160	1.1/2"	M52x2	36	69,9	94	35,7	78	70	82	16	11,0	13,5	1/2" x 1.1/2"
AFG 106 M/S 38 U	3000 PSI	S	38	200	1.1/2"	M52x2	32	69,9	94	35,7	78	70	85	16	16,0	13,5	1/2" x 1.1/2"
AFG 401 M/S 16 U	6000 PSI	S	16	400	1/2"	M24x1,5	12	40,5	56	18,2	48	60	70	16	8,5	9,0	5/16" x 1.1/4"
AFG 402 M/S 25 U	6000 PSI	S	25	400	3/4"	M36x2	19	50,8	71	23,8	60	73	85	19	12,0	11,5	3/8" x 1.1/2"
AFG 403 M/S 30 U	6000 PSI	S	30	400	1"	M42x2	25	57,2	81	27,8	70	82	95	24	13,5	13,0	7/16" x 1.3/4"
AFG 404 M/S 30 U	6000 PSI	S	30	400	1.1/4"	M42x2	25	66,7	95	31,8	78	92	106	27	13,5	13,5	1/2" x 1.3/4"
AFG 404 M/S 38 U	6000 PSI	S	38	400	1.1/4"	M52x2	29	66,7	95	31,8	78	92	107	27	16,0	13,5	1/2" x 1.3/4"
AFG 405 M/S 38 U	6000 PSI	S	38	400	1.1/2"	M52x2	32	79,4	113	36,5	95	96	111	30	16,0	17,5	5/8" x 2"

PN = Nominal pressure PB = Max. operating pressure - Ø = External pipe diameter - Series: LL = Very light L = Light S = Heavy

Product versions

AFG M (3000 PSI)	SAE external thread flange, flange only
AFG M M (3000 / 6000 PSI)	SAE external thread flange, with metric screw set and O-ring