

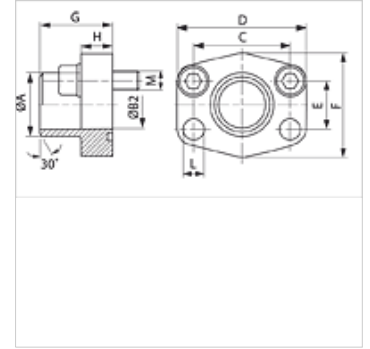
AFS ST M (3000 / 6000 PSI)

SAE welded on flange - imperial

HANSA FLEX

Properties

Standard	SAE J 518 C ISO 6162
Construction	straight
Design	SAE welded on flange - imperial
Mounting	Screw bore hole
Scope of supply	with metric screw set and O-ring
Material	S355J2G3 (ST52.3)
Surface	black oiled



Note

The stated maximum working pressure relates to the flange. The actual working pressure is determined by the pipe (wall thickness) and the quality of the pipe.

Item

Identification	Pressure series	PB 10.9 (bar)	Size	A (mm)	Ø B (mm)	C (mm)	D (mm)	E (mm)	F (mm)	G (mm)	H (mm)	L (mm)	M metr.
AFS 80 ST M	3000 PSI	350	1/2"	21,6	13	38,1	54	17,5	46	36	16	9,0	M 8 x 30
AFS 80 ST 038 M	3000 PSI	350	1/2"	17,5	13	38,1	54	17,5	46	36	16	9,0	M 8 x 30
AFS 100 ST M	3000 PSI	350	3/4"	28,0	19	47,6	65	22,2	50	36	18	11,0	M 10 x 35
AFS 102 ST M	3000 PSI	315	1"	34,0	25	52,4	70	26,2	55	38	18	11,0	M 10 x 35
AFS 104 ST M	3000 PSI	250	1.1/4"	42,8	32	58,7	79	30,2	68	41	21	11,5	M 10 x 40
AFS 106 ST M	3000 PSI	200	1.1/2"	48,6	38	69,9	93	35,7	78	44	25	13,5	M 12 x 45
AFS 108 ST M	3000 PSI	200	2"	61,0	51	77,8	102	42,9	90	45	25	13,5	M 12 x 45
AFS 110 ST M	3000 PSI	160	2.1/2"	77,0	63	88,9	114	50,8	105	50	25	13,5	M 12 x 45
AFS 112 ST M	3000 PSI	138	3"	92,0	73	106,4	134	61,9	124	50	27	17,5	M 16 x 50
AFS 114 ST M	3000 PSI	35	3.1/2"	103,0	89	120,7	152	69,9	136	48	27	17,5	M 16 x 50
AFS 116 ST M	3000 PSI	35	4"	115,1	99	130,2	162	77,8	146	48	27	17,5	M 16 x 50
AFS 401 ST 012 M	6000 PSI	400	1/2"	21,5	13	40,5	54	18,2	46	36	16	9,0	M 8 x 30
AFS 401 ST 038 M	6000 PSI	400	1/2"	17,5	13	40,5	54	18,2	46	36	16	9,0	M 8 x 30
AFS 402 ST M	6000 PSI	400	3/4"	28,0	19	50,8	71	23,8	55	35	21	11,0	M 10 x 35
AFS 403 ST M	6000 PSI	400	1"	34,0	25	57,2	79	27,8	68	41	21	13,0	M 12 x 45
AFS 404 ST M	6000 PSI	375	1.1/4"	42,8	32	66,7	93	31,8	78	44	25	15,0	M 14 x 45
AFS 405 ST M	6000 PSI	250	1.1/2"	48,6	38	79,4	112	36,5	94	55	30	17,0	M 16 x 50
AFS 406 ST M	6000 PSI	250	2"	61,0	51	96,8	134	44,5	114	65	37	21,0	M 20 x 65

PN = Nominal pressure PB = Max. operating pressure

Product versions

AFS ST (3000 PSI)	SAE welded on flange - imperial, flange only
AFS ST U (3000 / 6000 PSI)	SAE welded on flange - imperial, with UNC screw set and O-ring