

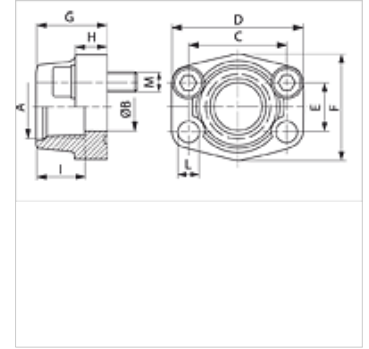
AFS T (3000 / 6000 PSI)

SAE screw-in flange, UN/UNF

HANSA FLEX

Properties

Standard	SAE J 518 C ISO 6162
Construction	straight
Design	SAE screw-in flange
Mounting	Screw bore hole
Scope of supply	flange only
Material	S355J2G3 (ST52.3)
Surface	black oiled



Note

The stated maximum working pressure relates to the flange. The actual working pressure is determined by the pipe (wall thickness) and the quality of the pipe.

Item

Identification	Pressure series	PB 10.9 (bar)	Size	A	Ø B (mm)	C (mm)	D (mm)	E (mm)	F (mm)	G (mm)	H (mm)	I (mm)	L (mm)
AFS 80 T	3000 PSI	350	1/2"	UNF 3/4" -16	13	38,1	54	17,5	46	36	16	17	9,0
AFS 100 T	3000 PSI	350	3/4"	UNF 1 1/16" -12	19	47,6	65	22,3	50	36	18	23	11,0
AFS 102 T	3000 PSI	315	1"	UN 1.5/16" -12	25	52,4	70	26,2	55	38	18	23	11,0
AFS 104 T	3000 PSI	250	1.1/4"	UN 1.5/8" -12	32	58,7	79	30,2	68	41	21	23	11,5
AFS 106 T	3000 PSI	200	1.1/2"	UN 1.7/8" -12	38	69,9	93	35,7	78	45	25	23	13,5
AFS 401 T	6000 PSI	400	1/2"	UNF 3/4" -16	13	40,5	54	18,2	46	36	16	17	9,0
AFS 402 T	6000 PSI	400	3/4"	UNF 1 1/16" -12	19	50,8	71	23,8	55	35	21	23	11,0
AFS 403 T	6000 PSI	400	1"	UN 1.5/16" -12	25	57,2	81	27,8	65	42	25	23	13,0
AFS 404 T	6000 PSI	400	1.1/4"	UN 1.5/8" -12	32	66,7	95	31,8	78	45	27	23	*1
AFS 405 T	6000 PSI	400	1.1/2"	UN 1.7/8" -12	38	79,4	112	36,5	94	50	30	23	17,0

PN = Nominal pressure PB = Max. operating pressure

*1) = 15.0 for metric screws; 13.5 for UNC screws

Product versions

AFS T M (3000 / 6000 PSI)	SAE screw-in flange, UN/UNF, with metric screw set and O-ring
AFS T U (3000 / 6000 PSI)	SAE screw-in flange, UN/UNF, with UNC screw set and O-ring