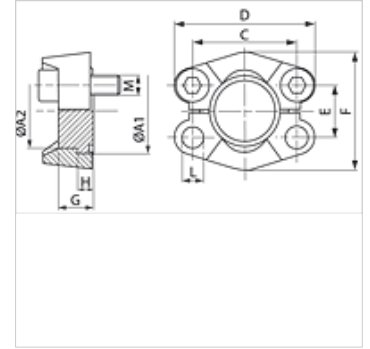
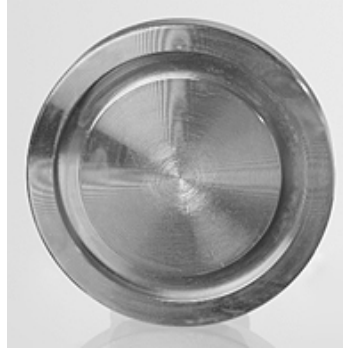


# BL (3000 PSI)

SAE blind plate

## Properties

<b>Pressure series</b>	3000 psi
<b>Standard</b>	SAE J 518 C ISO 6162
<b>Construction</b>	straight
<b>Design</b>	SAE blind plate
<b>Scope of supply</b>	blind plate only
<b>Material</b>	S355J2G3 (C22)
<b>Surface</b>	electro galvanised



## Item

Identification	PB 10.9 (bar)	Size	A1 (mm)	A2 (mm)	G (mm)	C (mm)	D (mm)	E (mm)	F (mm)	H (mm)	L (mm)	M metr.	M unc
<b>BL 3001</b>	350	1/2"	30,2	24,0	16	38,1	54	17,5	46	6,8	8,7	M 8 x 25	5/16" x 1.1/4"
<b>BL 3002</b>	350	3/4"	38,1	31,8	17	47,6	65	22,3	52	6,8	10,7	M 10 x 30	3/8" x 1.1/4"
<b>BL 3003</b>	315	1"	44,5	38,0	17	52,4	70	26,2	59	8,0	10,7	M 10 x 30	3/8" x 1.1/4"
<b>BL 3004</b>	250	1.1/4"	50,8	43,0	17	58,7	79	30,2	73	8,0	*1	*2	7/16" x 1.1/2"
<b>BL 3005</b>	200	1.1/2"	60,3	50,0	19	69,9	94	35,7	83	8,0	13,5	M 12 x 35	1/2" x 1.1/2"
<b>BL 3006</b>	200	2"	71,4	62,0	19	77,8	102	42,9	97	9,6	13,5	M 12 x 35	1/2" x 1.1/2"

PN = Nominal pressure PB = Max. operating pressure

\*1) = Choice of 10.75 or 12.0 or 12.75 – \*2) = Choice of M 10 x 30 or M 12 x 35