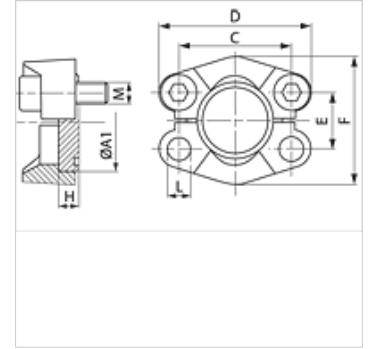
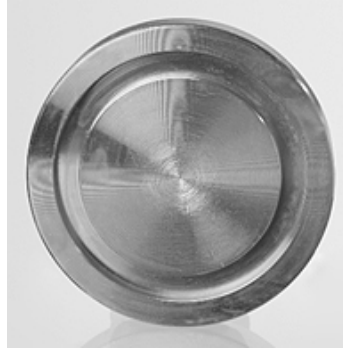


BL (6000 PSI)

SAE blind plate

Properties

| | |
|------------------------|-------------------------|
| Pressure series | 6000 psi |
| Standard | SAE J 518 C ISO 6162 |
| Construction | straight |
| Design | SAE blind plate |
| Scope of supply | blind plate only |
| Material | S355J2G3 (C22) |
| Surface | electro galvanised |



Item

| Identification | PB 10.9 (bar) | Size | A1 (mm) | G (mm) | C (mm) | D (mm) | E (mm) | F (mm) | H (mm) | L (mm) | M metr. | M unc |
|----------------|------------------|--------|------------|-----------|-----------|-----------|-----------|-----------|-----------|-----------|-----------|----------------|
| BL 6001 | 250 | 1/2" | 31,8 | 14 | 40,5 | 56 | 18,2 | 48 | 7,8 | 8,7 | M 8 x 30 | 5/16" x 1.1/4" |
| BL 6002 | 250 | 3/4" | 41,3 | 15 | 50,8 | 71 | 23,8 | 60 | 8,8 | 10,5 | M 10 x 35 | 3/8" x 1.1/2" |
| BL 6003 | 250 | 1" | 47,6 | 16 | 57,2 | 81 | 27,8 | 70 | 9,5 | *1 | M 12 x 45 | 7/16" x 1.3/4" |
| BL 6004 | 250 | 1.1/4" | 54,0 | 16 | 66,6 | 95 | 31,8 | 78 | 10,4 | *2 | M 14 x 45 | 1/2" x 1.3/4" |
| BL 6005 | 250 | 1.1/2" | 63,5 | 19 | 79,3 | 113 | 36,5 | 95 | 12,6 | 17,0 | M 16 x 55 | 5/8" x 2" |
| BL 6006 | 250 | 2" | 79,4 | 30 | 96,8 | 133 | 44,5 | 114 | 12,6 | 21,0 | M 20 x 70 | 3/4" x 2.1/2" |

PN = Nominal pressure PB = Max. operating pressure

*1) = Choice of 12.0 or 12.5 – *2) = Choice of 13.5 or 14.75