

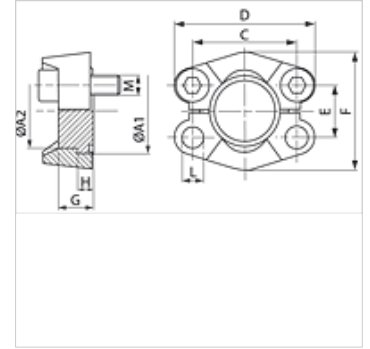
# BS (6000 PSI)

SAE blind plate

**HANSA FLEX**

## Properties

<b>Pressure series</b>	6000 psi
<b>Standard</b>	SAE J 518 C ISO 6162
<b>Construction</b>	straight
<b>Design</b>	SAE blind plate
<b>Scope of supply</b>	blind plate only
<b>Material</b>	Steel 9SMnPb28K / C15
<b>Surface</b>	electro galvanised



## Item

Identification	PB 10.9 (bar)	Size	A1 (mm)	A2 (mm)	G (mm)	C (mm)	D (mm)	E (mm)	F (mm)	H (mm)	L (mm)
<b>BS 6001</b>	400	1/2"	31,8	24,0	14	40,5	56	18,2	48	7,8	8,7
<b>BS 6002</b>	400	3/4"	41,3	31,8	15	50,8	71	23,8	60	8,8	10,7
<b>BS 6003</b>	400	1"	47,6	38,0	16	57,2	81	27,8	70	9,5	*1
<b>BS 6004</b>	400	1.1/4"	54,0	44,0	16	66,6	95	31,8	78	10,3	*2
<b>BS 6005</b>	400	1.1/2"	63,5	50,8	19	79,3	113	36,5	95	12,6	17,0
<b>BS 6006</b>	400	2"	79,4	67,0	30	96,8	133	44,5	114	12,6	21,0

PN = Nominal pressure PB = Max. operating pressure

\*1) = Choice of 12.0 or 12.5 – \*2) = Choice of 13.5 or 14.5