

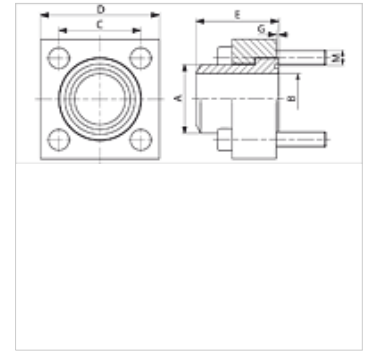
CET ST 250

Cetop square flange, welded on flanges

HANSA FLEX

Properties

Design	Cetop square flange
Construction	straight
Standard	CETOP RP 63H ISO 6164
Mounting	with metric screw set
Scope of supply	with metric screw set and O-ring
Material	S355J2G3 (ST52.3)
Surface	black oiled



Note

The stated maximum working pressure relates to the flange. The actual working pressure is determined by the pipe (wall thickness) and the quality of the pipe.

Item

Identification	Pressure PB (bar)	Size	A (mm)	Ø B (mm)	C (mm)	D (mm)	E (mm)	G (mm)	M metr.
CET 38 ST 250	250	3/8"	18	12,5	24,7	40	30	1,0	M 6 x 25
CET 12 ST 250	250	1/2"	22	15,0	29,7	45	30	1,0	M 8 x 30
CET 34 ST 250	250	3/4"	28	20,0	35,3	50	35	1,0	M 8 x 30
CET 1 ST 250	250	1"	35	25,0	43,8	65	40	1,0	M 10 x 35
CET 114 ST 250	250	1.1/4"	43	32,0	51,6	75	45	1,0	M 12 x 40
CET 112 ST 250	250	1.1/2"	50	38,0	60,0	85	50	1,0	M 14 x 45
CET 2 ST 250	250	2"	62	47,0	69,4	100	60	1,5	M 16 x 55
CET 212 ST 250	250	2.1/2"	76	58,0	83,4	120	70	1,5	M 20 x 65
CET 3 ST 250	250	3"	90	70,0	102,5	140	80	1,5	M 20 x 75
CET 312 ST 250	250	3.1/2"	102	80,0	102,5	140	90	1,5	M 20 x 90
CET 4 ST 250	250	4"	114	90,0	113,2	160	105	1,5	M 24 x 100

PN = Nominal pressure PB = Max. operating pressure