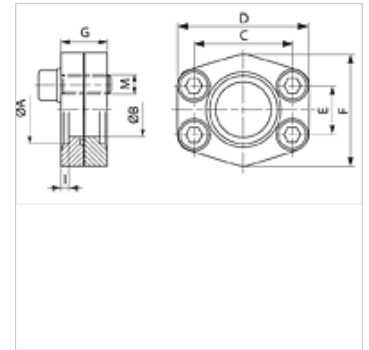


DFC S M (3000 PSI)

SAE socket weld flange connector, ND 40

Properties

Pressure series	3000 psi
Standard	SAE J 518 C ISO 6162
Construction type	ND 40
Construction	straight
Design	SAE socket weld flange connector
Mounting	with metric screw set
Scope of supply	with metric screw set and O-ring
Material	S355J2G3 (ST52.3)
Surface	black oiled



Note

The stated maximum working pressure relates to the flange. The actual working pressure is determined by the pipe (wall thickness) and the quality of the pipe.

Item

Identification	PB 10.9 (bar)	Size	Pipe	A (mm)	Ø B (mm)	C (mm)	D (mm)	E (mm)	F (mm)	G (mm)	I (mm)	M metr.
DFC 80 S M	40	1/2"	22 x 2	22,5	15	38,1	56	17,5	46	20	3	M 8 x 25
DFC 100 S M	40	3/4"	28 x 2	28,5	20	47,6	65	22,2	50	24	4	M 10 x 30
DFC 102 S M	40	1"	35 x 2	35,5	29	52,4	70	26,2	55	24	4	M 10 x 30
DFC 104 S M	40	1.1/4"	42 x 2	42,5	34	58,7	79	30,2	68	24	4	M 10 x 30
DFC 106 S M	40	1.1/2"	48.3 x 3.25	49,0	42	69,9	93	35,7	78	30	4	M 12 x 35
DFC 108 S M	40	2"	60.3 x 3.65	61,0	53	77,8	102	42,9	90	30	4	M 12 x 35
DFC 110 S M	40	2.1/2"	76.1 x 3.65	77,0	64	88,9	114	50,8	105	30	4	M 12 x 35
DFC 112 S M	40	3"	88.9 x 4.05	90,0	80	106,4	134	61,9	124	40	5	M 16 x 40
DFC 114 S M	35	3.1/2"	101.6 x 4.5	103,0	93	120,7	152	69,9	136	40	5	M 16 x 40
DFC 116 S M	35	4"	114.3 x 4.5	116,0	105	130,2	162	77,8	146	50	6	M 16 x 45
DFC 118 S M	35	5"	139.7 x 4.85	141,0	126	152,4	190	92,1	170	56	8	M 16 x 45

PN = Nominal pressure PB = Max. operating pressure