

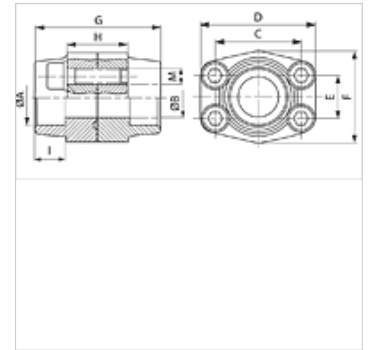
DFS S U (3000 / 6000 PSI)

SAE socket weld flange connector

HANSA FLEX

Properties

| | |
|------------------------|--------------------------------------------------|
| Pressure series | 3000 psi |
| Standard | SAE J 518 C ISO 6162 |
| Construction | straight |
| Design | SAE socket weld flange connector |
| Mounting | with UNC screw set |
| Scope of supply | Flange, counter flange with screw set and O-ring |
| Material | S355J2G3 (ST52.3) |
| Surface | black oiled |



Note

The stated maximum working pressure relates to the flange. The actual working pressure is determined by the pipe (wall thickness) and the quality of the pipe.

Item

| Identification | PB 10.9 (bar) | Size | A (mm) | Ø B (mm) | C (mm) | D (mm) | E (mm) | F (mm) | G (mm) | H (mm) | I (mm) | M unc |
|-----------------|------------------|--------|-----------|-------------|-----------|-----------|-----------|-----------|-----------|-----------|-----------|----------------|
| DFS 080 S U | 350 | 1/2" | 21,6 | 13 | 38,1 | 54 | 17,5 | 46 | 72 | 32 | 19 | 5/16" x 1.1/4" |
| DFS 080 S U 038 | 350 | 1/2" | 17,5 | 13 | 38,1 | 54 | 17,5 | 46 | 72 | 32 | 19 | 5/16" x 1.1/4" |
| DFS 080 S U A20 | 350 | 1/2" | 20,3 | 13 | 38,1 | 54 | 17,5 | 46 | 72 | 32 | 19 | 5/16" x 1.1/4" |
| DFS 100 S U | 350 | 3/4" | 27,2 | 19 | 47,6 | 65 | 22,2 | 50 | 72 | 36 | 19 | 3/8" x 1.1/2" |
| DFS 100 S U A25 | 350 | 3/4" | 25,3 | 19 | 47,6 | 65 | 22,2 | 50 | 72 | 36 | 19 | 3/8" x 1.1/2" |
| DFS 102 S U | 315 | 1" | 34,0 | 25 | 52,4 | 70 | 26,2 | 55 | 76 | 36 | 19 | 3/8" x 1.1/2" |
| DFS 102 S U A30 | 315 | 1" | 30,3 | 25 | 52,4 | 70 | 26,2 | 55 | 76 | 36 | 19 | 3/8" x 1.1/2" |
| DFS 104 S U | 250 | 1.1/4" | 42,8 | 32 | 58,7 | 79 | 30,2 | 68 | 82 | 42 | 22 | 7/16" x 1.1/2" |
| DFS 104 S U A38 | 250 | 1.1/4" | 38,3 | 32 | 58,7 | 79 | 30,2 | 68 | 82 | 42 | 22 | 7/16" x 1.1/2" |
| DFS 106 S U | 200 | 1.1/2" | 48,6 | 38 | 69,9 | 93 | 35,7 | 78 | 90 | 50 | 24 | 1/2" x 1.3/4" |
| DFS 106 S U A50 | 200 | 1.1/2" | 50,5 | 38 | 69,9 | 93 | 35,7 | 78 | 90 | 50 | 24 | 1/2" x 1.3/4" |
| DFS 108 S U | 200 | 2" | 61,0 | 51 | 77,8 | 102 | 42,9 | 90 | 90 | 50 | 26 | 1/2" x 1.3/4" |
| DFS 110 S U | 160 | 2.1/2" | 76,6 | 63 | 88,9 | 114 | 50,8 | 105 | 100 | 50 | 30 | 1/2" x 1.3/4" |
| DFS 112 S U | 138 | 3" | 90,5 | 73 | 106,4 | 134 | 61,9 | 124 | 100 | 54 | 34 | 5/8" x 2" |
| DFS 114 S U | 35 | 3.1/2" | 103,0 | 89 | 120,7 | 152 | 69,9 | 136 | 96 | 54 | 34 | 5/8" x 2" |
| DFS 116 S U | 35 | 4" | 115,5 | 99 | 130,2 | 162 | 77,8 | 146 | 96 | 54 | 34 | 5/8" x 2" |
| DFS 401 S U 012 | 400 | 1/2" | 21,6 | 13 | 40,5 | 54 | 18,2 | 46 | 72 | 32 | 19 | 5/16" x 1.1/4" |
| DFS 401 S U 038 | 400 | 1/2" | 17,5 | 13 | 40,5 | 54 | 18,2 | 46 | 72 | 32 | 19 | 5/16" x 1.1/4" |
| DFS 401 S U A20 | 400 | 1/2" | 20,3 | 13 | 40,5 | 54 | 18,2 | 46 | 72 | 32 | 19 | 5/16" x 1.1/4" |
| DFS 402 S U | 400 | 3/4" | 27,2 | 19 | 50,8 | 71 | 23,8 | 55 | 70 | 42 | 22 | 3/8" x 1.1/2" |
| DFS 402 S U A25 | 400 | 3/4" | 25,3 | 19 | 50,8 | 71 | 23,8 | 55 | 70 | 42 | 22 | 3/8" x 1.1/2" |
| DFS 403 S U | 400 | 1" | 34,0 | 25 | 57,2 | 81 | 27,8 | 65 | 84 | 50 | 22 | 7/16" x 1.3/4" |
| DFS 403 S U A30 | 400 | 1" | 30,3 | 25 | 57,2 | 81 | 27,8 | 65 | 84 | 50 | 22 | 7/16" x 1.3/4" |
| DFS 404 S U | 400 | 1.1/4" | 42,8 | 32 | 66,7 | 95 | 31,8 | 78 | 90 | 54 | 25 | 1/2" x 1.3/4" |
| DFS 404 S U A38 | 400 | 1.1/4" | 38,3 | 32 | 66,7 | 95 | 31,8 | 78 | 90 | 54 | 25 | 1/2" x 1.3/4" |
| DFS 405 S U | 400 | 1.1/2" | 48,6 | 38 | 79,4 | 112 | 36,5 | 94 | 100 | 60 | 28 | 5/8" x 2" |
| DFS 405 S U A50 | 400 | 1.1/2" | 50,5 | 38 | 79,4 | 112 | 36,5 | 94 | 100 | 60 | 28 | 5/8" x 2" |
| DFS 406 S U | 400 | 2" | 61,0 | 51 | 96,8 | 134 | 44,5 | 114 | 130 | 74 | 24 | 3/4" x 2.1/2" |

PN = Nominal pressure PB = Max. operating pressure

Product versions

DFS S M (3000 / 6000 PSI) SAE socket weld flange connector, Flange, counter flange with screw set and O-ring