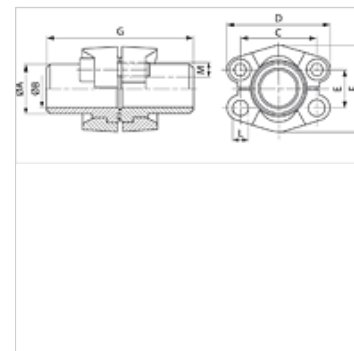


# DSFS (3000 PSI)

## SAE stub end flange connector

### Properties

Pressure series	3000 psi
Standard	SAE J 518 C ISO 6162
Construction	straight
Design	SAE stub end flange connector
Mounting	with metric screw set
Scope of supply	with 2 flange halves, screw set and O-ring
Material	S355J2G3 (ST52.3)
Surface	electro galvanised



### Note

The stated maximum working pressure relates to the flange. The actual working pressure is determined by the pipe (wall thickness) and the quality of the pipe.

### Item

Identification	PB 10.9 (bar)	Size	Pipe	A (mm)	Ø B (mm)	C (mm)	D (mm)	E (mm)	F (mm)	G (mm)	L (mm)	M metr.	M unc
DSFS 3001-16	350	1/2"	16 x 2	16,0	12,0	38,1	54	17,5	45,6	82	8,5	M 8 x 30	5/16" x 1.1/4"
DSFS 3001-21.3	350	1/2"	21.3 x 4.7	22,0	15,5	38,1	54	17,5	45,6	82	8,5	M 8 x 30	5/16" x 1.1/4"
DSFS 3002-25	350	3/4"	25 x 3	27,0	18,9	47,6	65	22,2	51,8	100	10,5	M 10 x 30	3/8" x 1.1/4"
DSFS 3002-26.9	350	3/4"	26.9 x 3.9	27,0	18,9	47,6	65	22,2	51,8	100	10,5	M 10 x 30	3/8" x 1.1/4"
DSFS 3003-28	315	1"	28 x 3	28,0	22,0	52,4	70	26,2	58,4	100	10,5	M 10 x 35	3/8" x 1.1/4"
DSFS 3003-30	315	1"	30 x 4	30,0	22,0	52,4	70	26,2	58,4	100	10,5	M 10 x 35	3/8" x 1.1/4"
DSFS 3003-33.7	315	1"	33.7 x 4.5	34,0	24,7	52,4	70	26,2	58,4	100	10,5	M 10 x 35	3/8" x 1.1/4"
DSFS 3003-38	315	1"	38 x 5	38,0	28,0	52,4	70	26,2	58,4	100	10,5	M 10 x 35	3/8" x 1.1/4"
DSFS 3004-38	250	1.1/4"	38 x 5	38,0	28,0	58,7	79	30,2	72,6	110	11,0	*1	7/16" x 1.1/2"
DSFS 3004-42.4	250	1.1/4"	42.4 x 6.3	43,0	29,7	58,7	79	30,2	72,6	110	11,0	*1	7/16" x 1.1/2"
DSFS 3005-38	200	1.1/2"	38 x 4	38,0	30,0	69,9	94	35,7	82,2	114	13,5	M 12 x 35	1/2" x 1.1/2"
DSFS 3005-42	200	1.1/2"	42 x 5	42,0	32,0	69,9	94	35,7	82,2	114	13,5	M 12 x 35	1/2" x 1.1/2"
DSFS 3005-45	200	1.1/2"	45 x 5	45,0	35,0	69,9	94	35,7	82,2	114	13,5	M 12 x 35	1/2" x 1.1/2"
DSFS 3005-48.3	200	1.1/2"	48.3 x 7.1	49,0	34,0	69,9	94	35,7	82,2	114	13,5	M 12 x 35	1/2" x 1.1/2"
DSFS 3006-55	200	2"	55 x 5	55,0	45,0	77,8	102	42,9	96,4	114	13,5	M 12 x 35	1/2" x 1.1/2"
DSFS 3006-60.3	200	2"	60.3 x 8	60,3	44,0	77,8	102	42,9	96,4	114	13,5	M 12 x 35	1/2" x 1.1/2"
DSFS 3007-65	160	2"	65 x 6	65,0	53,0	88,9	114	50,8	108,2	116	13,5	M 12 x 40	1/2" x 1.3/4"
DSFS 3007-70	160	2.1/2"	70 x 7.5	70,0	55,0	88,9	114	50,8	108,2	116	13,5	M 12 x 40	1/2" x 1.3/4"
DSFS 3007-76.1	160	2.1/2"	76.1 x 7.1	74,0	62,0	88,9	114	50,8	108,2	116	13,5	M 12 x 40	1/2" x 1.3/4"
DSFS 3008-80	138	2.1/2"	80 x 6	80,0	68,0	106,4	135	61,9	130,6	120	16,7	M 16 x 45	5/8" x 2"
DSFS 3008-88.9	138	3"	88.9 x 8	90,0	73,0	106,4	135	61,9	130,6	120	16,7	M 16 x 45	5/8" x 2"
DSFS 3009-100	35	3.1/2"	100 x 6	100,0	88,0	120,7	152	69,9	139,0	120	17,0	M 16 x 45	5/8" x 2"
DSFS 3009-88.9	35	3"	88.9 x 8	90,0	73,0	120,7	152	69,9	139,0	120	17,0	M 16 x 45	5/8" x 2"
DSFS 3010-110	35	3.1/2"	110 x 6	110,0	98,0	130,2	162	77,8	152,0	120	17,0	M 16 x 50	5/8" x 2"
DSFS 3010-114.3	35	4"	114.3 x 8.8	115,0	96,7	130,2	162	77,8	152,0	120	17,0	M 16 x 50	5/8" x 2"
DSFS 3011-133	35	5"	133 x 6.5	133,0	120,0	152,4	184	92,1	180,0	120	17,0	M 16 x 50	5/8" x 2"
DSFS 3011-139.7	35	5"	139.7 x 10	140,0	120,0	152,4	184	92,1	180,0	120	17,0	M 16 x 50	5/8" x 2"

PN = Nominal pressure PB = Max. operating pressure

\*1) = Choice of M 10 x 30 or M 12 x 35