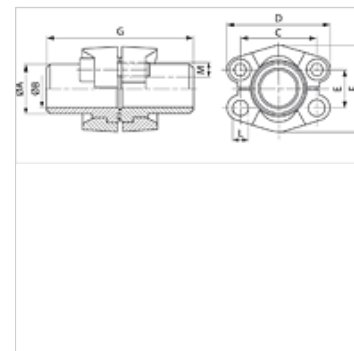


# DSFS (6000 PSI)

## SAE stub end flange connector

### Properties

<b>Pressure series</b>	6000 psi
<b>Standard</b>	SAE J 518 C ISO 6162
<b>Construction</b>	straight
<b>Design</b>	SAE stub end flange connector
<b>Mounting</b>	with metric screw set
<b>Scope of supply</b>	with 2 flange halves, screw set and O-ring
<b>Material</b>	S355J2G3 (ST52.3)
<b>Surface</b>	black oiled



### Note

The stated maximum working pressure relates to the flange. The actual working pressure is determined by the pipe (wall thickness) and the quality of the pipe.

### Item

Identification	PB 10.9 (bar)	Size	Pipe	A (mm)	Ø B (mm)	C (mm)	D (mm)	E (mm)	F (mm)	G (mm)	L (mm)	M metr.	M unc
DSFS 6001-16	400	1/2"	16 x 2	16,0	12,0	40,5	56	18,2	47,2	68	8,5	M 8 x 30	5/16" x 1.1/4"
DSFS 6001-21.3	400	1/2"	21.3 x 4.5	21,3	11,9	40,5	56	18,2	47,2	68	8,5	M 8 x 30	5/16" x 1.1/4"
DSFS 6002-25	400	3/4"	25 x 3.5	25,0	18,0	50,8	71	23,8	60,0	76	10,5	M 10 x 35	3/8" x 1.1/2"
DSFS 6002-26.9	400	3/4"	26.9 x 5.6	26,9	15,7	50,8	71	23,8	60,0	76	10,5	M 10 x 35	3/8" x 1.1/2"
DSFS 6003-30	400	1"	30 x 4	30,0	22,0	57,2	81	27,8	69,6	80	13,5	M 12 x 45	7/16" x 1.3/4"
DSFS 6003-33.7	400	1"	33.7 x 7.1	34,0	19,0	57,2	81	27,8	69,6	80	13,5	M 12 x 45	7/16" x 1.3/4"
DSFS 6003-38	400	1"	38 x 5	38,0	28,0	57,2	81	27,8	69,6	80	13,5	M 12 x 45	7/16" x 1.3/4"
DSFS 6004-30	400	1.1/4"	30 x 4	30,0	22,0	66,7	95	31,8	77,2	90	14,5	M 14 x 50	1/2" x 1.3/4"
DSFS 6004-38	400	1.1/4"	38 x 5.5	38,0	27,0	66,7	95	31,8	77,2	90	14,5	M 14 x 50	1/2" x 1.3/4"
DSFS 6004-42.4	400	1.1/4"	42.4 x 6.3	42,4	29,8	66,7	95	31,8	77,2	90	14,5	M 14 x 50	1/2" x 1.3/4"
DSFS 6005-45	400	1.1/2"	45 x 6.5	45,0	32,0	79,4	113	36,5	95,0	100	16,7	M 16 x 55	5/8" x 2"
DSFS 6005-48.3	400	1.1/2"	48.3 x 8.8	50,0	30,7	79,4	113	36,5	95,0	100	16,7	M 16 x 55	5/8" x 2"
DSFS 6006-60.3	400	2"	60.3 x 13.4	60,3	33,7	96,8	133	44,5	113,8	116	21,0	M 20 x 65	3/4" x 2.1/2"
DSFS 6006-65	400	2"	65 x 8	65,0	46,0	96,8	133	44,5	113,8	116	21,0	M 20 x 65	3/4" x 2.1/2"

PN = Nominal pressure PB = Max. operating pressure