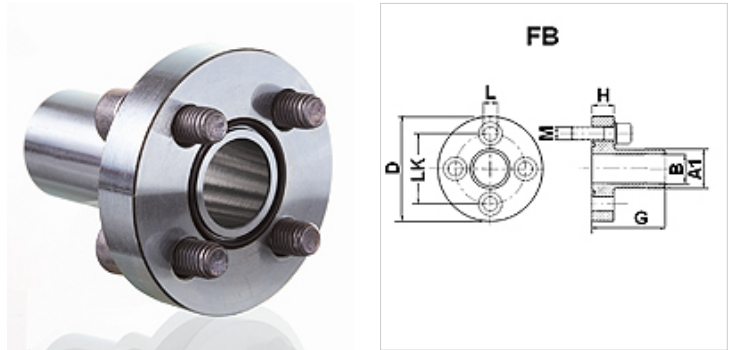


FB

Pump connection (4 hole)

Properties

Design	Pump connection (4 hole)
Construction	straight
Mounting	with metric screw set
Scope of supply	with metric screw set and O-ring
Material	Steel ST 42.3
Surface	electro galvanised



Note

The stated maximum working pressure relates to the flange. The actual working pressure is determined by the pipe (wall thickness) and the quality of the pipe.

Item

Identification	Pressure PB (bar)	LK (mm)	A1 (mm)	Ø B (mm)	D (mm)	G (mm)	H (mm)	L (mm)	Screws	OR
FB 1	250	30	19,0	14,0	45	55	10	6,5	(4 x) M 6 x 20	18.77 x 1.78
FB 2	250	40	25,4	19,0	58	60	12	8,5	(4 x) M 8 x 25	25.12 x 1.78
FB 3 B	250	56	32,0	24,5	76	72	16	10,5	(4 x) M 10 x 35	31.42 x 2.62

PN = Nominal pressure PB = Max. operating pressure