

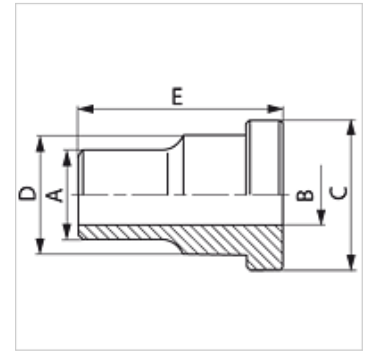
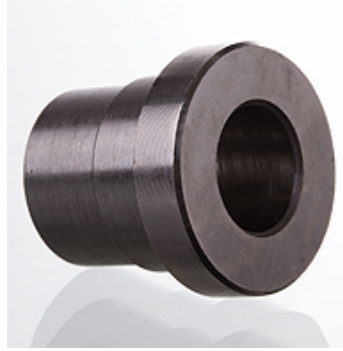
# G VKS ST 250

Cetop square flange, short stub end

**HANSA FLEX**

## Properties

<b>Design</b>	Cetop square flange
<b>Construction</b>	straight
<b>Standard</b>	CETOP RP 63H ISO 6164
<b>Material</b>	S355J2G3 (ST52.3)
<b>Surface</b>	black oiled



## Item

Identification	Pressure PB (bar)	Size	A (mm)	Ø B (mm)	C (mm)	D (mm)	E (mm)
<b>G VKS 38 ST 250</b>	250	3/8"	18	12,5	24,5	18,0	30
<b>G VKS 12 ST 250</b>	250	1/2"	22	15,0	30,2	24,0	30
<b>G VKS 34 ST 250</b>	250	3/4"	28	20,0	38,1	31,5	35
<b>G VKS 1 ST 250</b>	250	1"	35	25,0	44,4	38,0	40
<b>G VKS 114 ST 250</b>	250	1.1/4"	43	32,0	50,8	43,0	45
<b>G VKS 112 ST 250</b>	250	1.1/2"	50	38,0	60,3	50,0	50
<b>G VKS 2 ST 250</b>	250	2"	62	47,0	71,4	62,0	60
<b>G VKS 212 ST 250</b>	250	2.1/2"	76	58,0	87,2	76,0	70
<b>G VKS 3 ST 250</b>	250	3"	90	70,0	101,6	90,0	80
<b>G VKS 312 ST 250</b>	250	3.1/2"	102	80,0	119,0	102,0	90
<b>G VKS 4 ST 250</b>	250	4"	114	90,0	131,0	114,0	105

PN = Nominal pressure PB = Max. operating pressure - Series: LL = Very light L = Light S = Heavy