

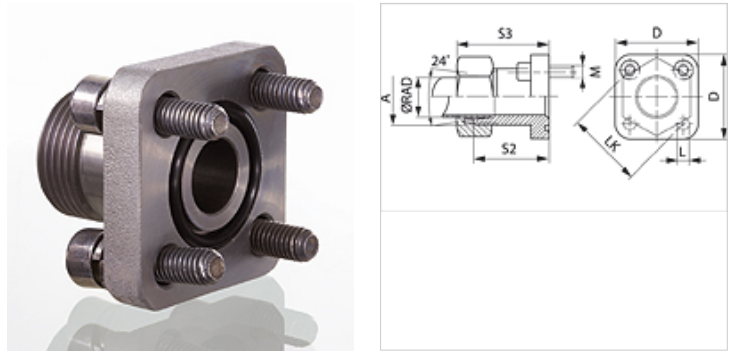
GF LK

Pump connection (4 hole)

HANSA FLEX

Properties

Design	Pump connection (4 hole)
Construction	straight
Standard	ISO/DIS 6164
Mounting	with metric screw set
Scope of supply	with metric screw set and O-ring
Material	A 105
Surface	electro galvanised



Note

The stated maximum working pressure relates to the flange. The actual working pressure is determined by the pipe (wall thickness) and the quality of the pipe.

Item

Identification	Series	Ø RAD (mm)	Pressure PB (bar)	LK (mm)	A	Ø B (mm)	D (mm)	L (mm)	S2 (mm)	S3 (mm)	Screws	OR
GF 35 LK L 10 315	L	10	315	35	M16x1,5	11	39	6,4	30	39,0	(4 x) M 6 x 22	20.0 x 2.5
GF 35 LK L 12 315	L	12	315	35	M18x1,5	11	39	6,4	30	39,0	(4 x) M 6 x 22	20.0 x 2.5
GF 35 LK L 15 250	L	15	250	35	M22x1,5	12	39	6,4	30	38,0	(4 x) M 6 x 22	20.0 x 2.5
GF 40 LK L 15 100	L	15	100	40	M22x1,5	13	42	6,4	35	43,0	(4 x) M 6 x 22	26.0 x 2.5
GF 40 LK L 18 100	L	18	100	40	M26x1,5	16	42	6,4	35	44,0	(4 x) M 6 x 22	26.0 x 2.5
GF 40 LK L 22 100	L	22	100	40	M30x2	20	42	6,4	35	44,5	(4 x) M 6 x 22	26.0 x 2.5
GF 40 LK L 28 100	L	28	100	40	M36x2	20	42	6,4	35	44,5	(4 x) M 6 x 22	26.0 x 2.5
GF 35 LK S 16 315	S	16	315	35	M24x1,5	12	39	6,4	30	39,5	(4 x) M 6 x 22	20.0 x 2.5
GF 55 LK S 20 250	S	20	250	55	M30x2	14	55	8,4	35	51,0	(4 x) M 8 x 25	32.0 x 2.5

Series: LL = Very light L = Light S = Heavy – PN = Nominal pressure PB = Max. operating pressure – Ø RAD = External pipe diameter

Product versions

GF LK M Pump connection (4 hole), with screw set, O-ring, nut and cutting ring