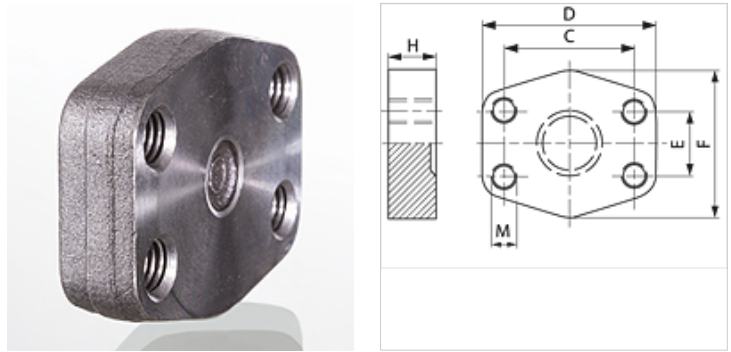


# GFC (3000 / 6000 PSI)

SAE sealing counter flange

## Properties

|                     |                                |
|---------------------|--------------------------------|
| <b>Standard</b>     | SAE J 518 C<br>ISO 6162        |
| <b>Construction</b> | straight                       |
| <b>Design</b>       | SAE sealing counter flange     |
| <b>Mounting</b>     | Inner thread for metric screws |
| <b>Material</b>     | S355J2G3 (ST52.3)              |
| <b>Surface</b>      | black oiled                    |



## Note

The stated maximum working pressure relates to the flange. The actual working pressure is determined by the pipe (wall thickness) and the quality of the pipe.

## Item

| Identification | Pressure series | PB 10.9<br>(bar) | Size   | C<br>(mm) | D<br>(mm) | E<br>(mm) | F<br>(mm) | H<br>(mm) | M metr. |
|----------------|-----------------|------------------|--------|-----------|-----------|-----------|-----------|-----------|---------|
| GFC 80         | 3000 PSI        | 350              | 1/2"   | 38,1      | 56        | 17,5      | 48        | 16        | M 8     |
| GFC 100        | 3000 PSI        | 350              | 3/4"   | 47,6      | 65        | 22,2      | 50        | 16        | M 10    |
| GFC 102        | 3000 PSI        | 315              | 1"     | 52,4      | 70        | 26,2      | 60        | 19        | M 10    |
| GFC 104        | 3000 PSI        | 250              | 1.1/4" | 58,7      | 79        | 30,2      | 68        | 18        | M 10    |
| GFC 106        | 3000 PSI        | 200              | 1.1/2" | 69,9      | 93        | 35,7      | 78        | 20        | M 12    |
| GFC 108        | 3000 PSI        | 200              | 2"     | 77,8      | 102       | 42,9      | 90        | 20        | M 12    |
| GFC 110        | 3000 PSI        | 160              | 2.1/2" | 88,9      | 114       | 50,8      | 105       | 20        | M 12    |
| GFC 112        | 3000 PSI        | 138              | 3"     | 106,4     | 134       | 61,9      | 124       | 24        | M 16    |
| GFC 114        | 3000 PSI        | 35               | 3.1/2" | 120,7     | 152       | 69,9      | 136       | 22        | M 16    |
| GFC 116        | 3000 PSI        | 35               | 4"     | 130,2     | 162       | 77,8      | 146       | 25        | M 16    |
| GFC 118        | 3000 PSI        | 35               | 5"     | 152,4     | 190       | 92,1      | 170       | 28        | M 16    |
| GFC 401        | 6000 PSI        | 400              | 1/2"   | 40,5      | 56        | 18,2      | 48        | 16        | M 8     |
| GFC 402        | 6000 PSI        | 400              | 3/4"   | 50,8      | 71        | 23,8      | 60        | 19        | M 10    |
| GFC 403        | 6000 PSI        | 400              | 1"     | 57,2      | 81        | 27,8      | 70        | 24        | M 12    |
| GFC 404        | 6000 PSI        | 400              | 1.1/4" | 66,7      | 95        | 31,8      | 78        | 27        | M 14    |
| GFC 405        | 6000 PSI        | 400              | 1.1/2" | 79,4      | 112       | 36,5      | 94        | 30        | M 16    |
| GFC 406        | 6000 PSI        | 400              | 2"     | 96,8      | 134       | 44,5      | 114       | 28        | M 20    |

PN = Nominal pressure PB = Max. operating pressure