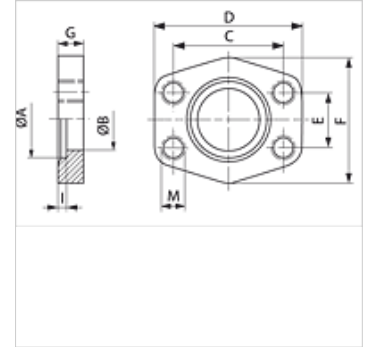


# GFC S (3000 PSI)

SAE socket weld counter flange, ND 40

## Properties

<b>Pressure series</b>	3000 psi
<b>Standard</b>	SAE J 518 C ISO 6162
<b>Construction type</b>	ND 40
<b>Construction</b>	straight
<b>Design</b>	SAE socket weld counter flange
<b>Mounting</b>	Inner thread for metric screws
<b>Material</b>	S355J2G3 (ST52.3)
<b>Surface</b>	black oiled



## Note

The stated maximum working pressure relates to the flange. The actual working pressure is determined by the pipe (wall thickness) and the quality of the pipe.

## Item

Identification	PB 10.9 (bar)	Size	Pipe	A (mm)	Ø B (mm)	C (mm)	D (mm)	E (mm)	F (mm)	G (mm)	I (mm)	M metr.
<b>GFC 80 S</b>	40	1/2"	22 x 2	22,5	15	38,1	56	17,5	46	10	3	M 8
<b>GFC 100 S</b>	40	3/4"	28 x 2	28,5	20	47,6	65	22,2	50	12	4	M 10
<b>GFC 102 S</b>	40	1"	35 x 2	35,5	29	52,4	70	26,2	55	12	4	M 10
<b>GFC 104 S</b>	40	1.1/4"	42 x 2	42,5	34	58,7	79	30,2	68	12	4	M 10
<b>GFC 106 S</b>	40	1.1/2"	48.3 x 3.25	42,0	42	69,9	93	35,7	78	15	4	M 12
<b>GFC 108 S</b>	40	2"	60.3 x 3.65	61,0	53	77,8	102	42,9	90	15	4	M 12
<b>GFC 110 S</b>	40	2.1/2"	76.1 x 3.65	77,0	64	88,9	114	50,8	105	15	4	M 12
<b>GFC 112 S</b>	40	3"	88.9 x 4.05	90,0	80	106,4	134	61,9	124	20	5	M 16
<b>GFC 114 S</b>	35	3.1/2"	101.6 x 4.5	103,0	93	120,7	152	69,9	136	20	5	M 16
<b>GFC 116 S</b>	35	4"	114.3 x 4.5	116,0	105	130,2	162	77,8	146	25	6	M 16
<b>GFC 118 S</b>	35	5"	139.7 x 4.85	141,0	126	152,4	190	92,1	170	28	8	M 16

PN = Nominal pressure PB = Max. operating pressure