

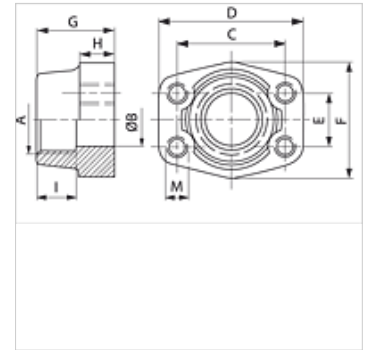
GFS N U (3000 / 6000 PSI)

SAE screw-in counter flange, NPT

HANSA FLEX

Properties

Standard	SAE J 518 C ISO 6162
Construction	straight
Design	SAE screw-in counter flange
Mounting	Inner thread for UNC screws
Scope of supply	flange only
Material	S355J2G3 (ST52.3)
Surface	black oiled



Note

The stated maximum working pressure relates to the flange. The actual working pressure is determined by the pipe (wall thickness) and the quality of the pipe.

Item

Identification	Pressure series	PB 10.9 (bar)	Size	A	Ø B (mm)	C (mm)	D (mm)	E (mm)	F (mm)	G (mm)	H (mm)	I (mm)	M unc
GFS 80 N U	3000 PSI	350	1/2"	NPT 1/2"	13	38,1	54	17,5	46	36	16	19	5/16"
GFS 80 N 3/8 U	3000 PSI	350	1/2"	NPT 3/8" -18	13	38,1	54	17,5	46	36	16	19	5/16"
GFS 100 N U	3000 PSI	350	3/4"	NPT 3/4" -14	19	47,6	65	22,2	50	36	18	19	3/8"
GFS 100 N 1/2 U	3000 PSI	350	3/4"	NPT 1/2"	13	47,6	65	22,2	50	36	18	19	3/8"
GFS 102 N U	3000 PSI	315	1"	NPT 1"	25	52,4	70	26,2	55	38	18	22	3/8"
GFS 102 N 3/4 U	3000 PSI	315	1"	NPT 3/4" -14	19	52,4	70	26,2	55	35	21	19	3/8"
GFS 104 N U	3000 PSI	250	1.1/4"	NPT 1.1/4"	32	58,7	79	30,2	68	41	21	22	7/16"
GFS 104 N 1 U	3000 PSI	250	1.1/4"	NPT 1"	25	58,7	81	30,2	65	42	25	22	7/16"
GFS 106 N U	3000 PSI	200	1.1/2"	NPT 1.1/2"	38	69,9	93	35,7	78	45	25	24	1/2"
GFS 106 N 1 1/4 U	3000 PSI	200	1.1/2"	NPT 1.1/4"	32	69,9	95	35,7	78	45	27	24	1/2"
GFS 108 N U	3000 PSI	200	2"	NPT 2" -11.5	51	77,8	102	42,9	90	45	25	30	1/2"
GFS 108 N 1 1/2 U	3000 PSI	200	2"	NPT 1.1/2"	38	77,8	102	42,9	90	45	25	26	1/2"
GFS 110 N U	3000 PSI	160	2.1/2"	NPT 2.1/2" -11.5	63	88,9	114	50,8	105	50	25	30	1/2"
GFS 112 N U	3000 PSI	138	3"	NPT 3" -11.5	73	106,4	134	61,9	124	50	27	34	5/8"
GFS 114 N U	3000 PSI	35	3.1/2"	NPT 3.1/2" -11.5	89	120,7	152	69,9	136	48	27	34	5/8"
GFS 116 N U	3000 PSI	35	4"	NPT 4" -11.5	99	130,2	162	77,8	146	48	27	34	5/8"
GFS 401 N U	6000 PSI	400	1/2"	NPT 1/2"	13	40,5	54	18,2	46	36	16	19	5/16"
GFS 401 N 3/8 U	6000 PSI	400	1/2"	NPT 3/8" -18	13	40,5	54	18,2	46	36	16	19	5/16"
GFS 402 N U	6000 PSI	400	3/4"	NPT 3/4" -14	19	50,8	71	23,8	55	35	21	22	3/8"
GFS 402 N 1/2 U	6000 PSI	400	3/4"	NPT 1/2"	13	50,8	71	23,8	55	35	21	22	3/8"
GFS 403 N U	6000 PSI	400	1"	NPT 1"	25	57,2	81	27,8	65	42	25	24	7/16"
GFS 403 N 3/4 U	6000 PSI	400	1"	NPT 3/4" -14	19	57,2	81	27,8	65	42	25	24	7/16"
GFS 404 N U	6000 PSI	400	1.1/4"	NPT 1.1/4"	32	66,7	95	31,8	78	45	27	25	1/2"
GFS 404 N 1 U	6000 PSI	400	1.1/4"	NPT 1"	25	66,7	95	31,8	78	45	27	25	1/2"
GFS 405 N U	6000 PSI	400	1.1/2"	NPT 1.1/2"	38	79,4	112	36,5	94	50	30	28	5/8"
GFS 405 N 1 1/4 U	6000 PSI	400	1.1/2"	NPT 1.1/4"	32	79,4	112	36,5	94	50	30	28	5/8"
GFS 406 N U	6000 PSI	400	2"	NPT 2" -11.5	51	96,8	134	44,5	114	65	37	30	3/4"
GFS 406 N 1 1/2 U	6000 PSI	400	2"	NPT 1.1/2"	38	96,8	134	44,5	114	65	37	30	3/4"

PN = Nominal pressure PB = Max. operating pressure

Product versions

GFS N M (3000 / 6000 PSI) SAE screw-in counter flange, NPT, flange only