

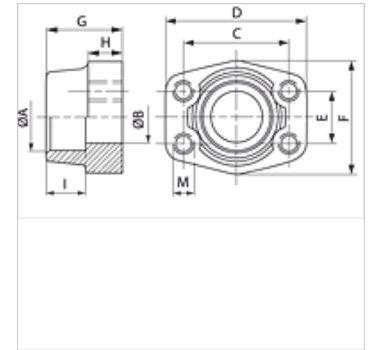
GFS S M (3000 / 6000 PSI)

SAE socket weld counter flange

HANSA FLEX

Properties

| | |
|------------------------|--------------------------------|
| Standard | SAE J 518 C ISO 6162 |
| Construction | straight |
| Design | SAE socket weld counter flange |
| Mounting | Inner thread for metric screws |
| Scope of supply | flange only |
| Material | S355J2G3 (ST52.3) |
| Surface | black oiled |



Note

The stated maximum working pressure relates to the flange. The actual working pressure is determined by the pipe (wall thickness) and the quality of the pipe.

Item

| Identification | Pressure series | PB 10.9 (bar) | Size | A (mm) | Ø B (mm) | C (mm) | D (mm) | E (mm) | F (mm) | G (mm) | H (mm) | I (mm) | M metr. |
|----------------|-----------------|------------------|--------|-----------|-------------|-----------|-----------|-----------|-----------|-----------|-----------|-----------|---------|
| GFS 80 S | 3000 PSI | 350 | 1/2" | 21,6 | 13 | 38,1 | 54 | 17,5 | 46 | 36 | 16 | 19 | M 8 |
| GFS 80 S 3/8 | 3000 PSI | 350 | 1/2" | 17,5 | 13 | 38,1 | 54 | 17,5 | 46 | 36 | 16 | 19 | M 8 |
| GFS 80 S A20 | 3000 PSI | 350 | 1/2" | 20,3 | 13 | 38,1 | 54 | 17,5 | 46 | 36 | 16 | 19 | M 8 |
| GFS 100 S | 3000 PSI | 350 | 3/4" | 27,2 | 19 | 47,6 | 65 | 22,2 | 50 | 36 | 18 | 19 | M 10 |
| GFS 100 S A25 | 3000 PSI | 350 | 3/4" | 25,3 | 19 | 47,6 | 65 | 22,2 | 50 | 36 | 18 | 19 | M 10 |
| GFS 102 S | 3000 PSI | 315 | 1" | 35,0 | 25 | 52,4 | 70 | 26,2 | 55 | 38 | 18 | 19 | M 10 |
| GFS 102 S A30 | 3000 PSI | 315 | 1" | 30,3 | 25 | 52,4 | 70 | 26,2 | 55 | 38 | 18 | 19 | M 10 |
| GFS 104 S | 3000 PSI | 250 | 1.1/4" | 42,8 | 32 | 58,7 | 79 | 30,2 | 68 | 41 | 21 | 22 | M 10 |
| GFS 104 S A38 | 3000 PSI | 250 | 1.1/4" | 38,3 | 32 | 58,7 | 79 | 30,2 | 68 | 41 | 21 | 22 | M 10 |
| GFS 106 S | 3000 PSI | 200 | 1.1/2" | 48,6 | 38 | 69,9 | 93 | 35,7 | 78 | 45 | 25 | 24 | M 12 |
| GFS 106 S A50 | 3000 PSI | 200 | 1.1/2" | 50,5 | 38 | 69,9 | 93 | 35,7 | 78 | 45 | 25 | 24 | M 12 |
| GFS 108 S | 3000 PSI | 200 | 2" | 61,0 | 51 | 77,8 | 102 | 42,9 | 90 | 45 | 25 | 26 | M 12 |
| GFS 110 S | 3000 PSI | 160 | 2.1/2" | 76,6 | 63 | 88,9 | 114 | 50,8 | 105 | 50 | 25 | 30 | M 12 |
| GFS 112 S | 3000 PSI | 138 | 3" | 90,5 | 73 | 106,4 | 134 | 61,9 | 124 | 50 | 27 | 34 | M 16 |
| GFS 114 S | 3000 PSI | 35 | 3.1/2" | 103,0 | 89 | 120,7 | 152 | 69,9 | 136 | 48 | 27 | 34 | M 16 |
| GFS 116 S | 3000 PSI | 35 | 4" | 115,1 | 99 | 130,2 | 162 | 77,8 | 146 | 48 | 27 | 34 | M 16 |
| | | | | | | | | | | | | | |
| GFS 401 S | 6000 PSI | 400 | 1/2" | 21,6 | 13 | 40,5 | 54 | 18,2 | 46 | 36 | 16 | 19 | M 8 |
| GFS 401 S 3/8 | 6000 PSI | 400 | 1/2" | 17,5 | 13 | 40,5 | 54 | 18,2 | 46 | 36 | 16 | 19 | M 8 |
| GFS 401 S A20 | 6000 PSI | 400 | 1/2" | 20,3 | 13 | 40,5 | 54 | 18,2 | 46 | 36 | 16 | 19 | M 8 |
| GFS 402 S | 6000 PSI | 400 | 3/4" | 27,2 | 19 | 50,8 | 71 | 23,8 | 55 | 35 | 21 | 22 | M 10 |
| GFS 402 S A25 | 6000 PSI | 400 | 3/4" | 25,3 | 19 | 50,8 | 71 | 23,8 | 55 | 35 | 21 | 22 | M 10 |
| GFS 403 S | 6000 PSI | 400 | 1" | 35,0 | 25 | 57,2 | 81 | 27,8 | 65 | 42 | 25 | 22 | M 12 |
| GFS 403 S A30 | 6000 PSI | 400 | 1" | 30,3 | 25 | 57,2 | 81 | 27,8 | 65 | 42 | 25 | 22 | M 12 |
| GFS 404 S | 6000 PSI | 400 | 1.1/4" | 42,8 | 32 | 66,7 | 95 | 31,8 | 78 | 45 | 27 | 25 | M 14 |
| GFS 404 S A38 | 6000 PSI | 400 | 1.1/4" | 38,3 | 32 | 66,7 | 95 | 31,8 | 78 | 45 | 27 | 25 | M 14 |
| GFS 405 S | 6000 PSI | 400 | 1.1/2" | 48,6 | 38 | 79,4 | 112 | 36,5 | 94 | 50 | 30 | 28 | M 16 |
| GFS 405 S A50 | 6000 PSI | 400 | 1.1/2" | 50,5 | 38 | 79,4 | 112 | 36,5 | 94 | 50 | 30 | 28 | M 16 |
| GFS 406 S | 6000 PSI | 400 | 2" | 61,0 | 51 | 96,8 | 134 | 44,5 | 114 | 65 | 37 | 24 | M 20 |

PN = Nominal pressure PB = Max. operating pressure

Product versions

GFS S U (3000 / 6000 PSI) SAE socket weld counter flange, flange only