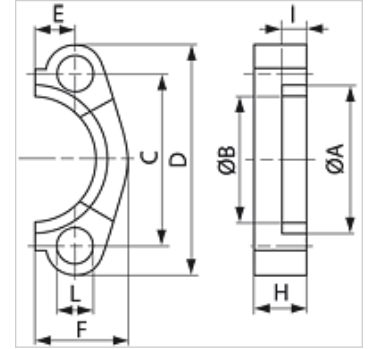


# HF (3000 PSI)

## SAE flange half, flat

### Properties

<b>Pressure series</b>	3000 psi
<b>Standard</b>	SAE J 518 C ISO 6162
<b>Construction type</b>	Flat
<b>Construction</b>	straight
<b>Design</b>	SAE flange half
<b>Mounting</b>	Screw bore hole
<b>Scope of supply</b>	flange only
<b>Material</b>	Steel C 60
<b>Surface</b>	electro galvanised



### Note

Recommended screws are listed in the columns M (metr) and M (unc).

### Item

Identification	PB 10.9 (bar)	Size	A (mm)	B (mm)	C (mm)	D (mm)	E (mm)	F (mm)	H (mm)	I (mm)	L (mm)	M metr.	M unc
HF 3001	350	1/2"	31,0	24,3	38,1	54	8,7	22,8	13	6,2	9	M 8 x 25	5/16" x 1.1/4"
HF 3002	350	3/4"	38,9	32,1	47,6	65	11,1	25,9	14	6,2	11	M 10 x 30	3/8" x 1.1/4"
HF 3003	315	1"	45,2	38,5	52,4	70	13,1	29,2	16	7,5	11	M 10 x 30	3/8" x 1.1/4"
HF 3004	250	1.1/4"	51,6	43,7	58,7	79	15,1	36,6	16	7,5	11	M 10 x 35	-
HF 3005	200	1.1/2"	61,1	50,8	69,9	94	17,9	41,1	16	7,5	13	M 12 x 35	1/2" x 1.1/2"
HF 3006	200	2"	72,2	62,7	77,8	102	21,4	48,2	16	9,0	13	M 12 x 35	1/2" x 1.1/2"

PN = Nominal pressure PB = Max. operating pressure