

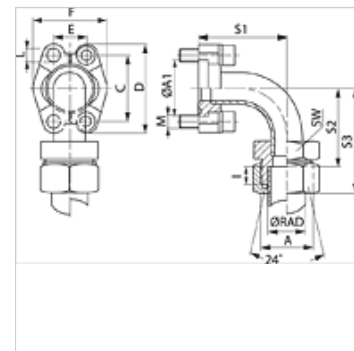
SFCE 90 M (3000 / 6000 PSI)

SAE flange adapter, soldered

HANSA FLEX

Properties

Standard	DIN 3901/3902
Construction type	soldered
Construction	Angle 90°
Design	SAE flange adapter
Scope of supply	with 2 flange halves, screw set and O-ring
Material	S355J2G3 (C22)
Surface	black oiled



Note

The stated maximum working pressure relates to the flange. The actual working pressure is determined by the pipe (wall thickness) and the quality of the pipe.

Item

Identification	Pressure series	Series	Ø	PB	Size	A	A1	C	D	E	F	I	S1	S2	S3	AF	L	Screws
			RAD	10.9														
			(mm)	(bar)														
SFCE 3001-90 L 15 M	3000 PSI	L	15	315	1/2"	M22x1,5	30,2	38,1	54	17,5	45,6	7,0	40	43,0	58	22	8,7	(4 x) M 8 x 25
SFCE 3002-90 L 22 M	3000 PSI	L	22	160	3/4"	M30x2	38,1	47,6	65	22,2	51,8	7,5	59	63,5	80	30	10,7	(4 x) M 10 x 30
SFCE 3003-90 L 28 M	3000 PSI	L	28	160	1"	M36x2	44,4	52,4	70	26,2	58,4	7,5	68	75,5	80	36	10,7	(4 x) M 10 x 30
SFCE 3004-90 L 35 M	3000 PSI	L	35	160	1.1/4"	M45x2	50,8	58,7	79	30,2	72,6	10,5	86	94,5	116	46	*1	*2
SFCE 3005-90 L 42 M	3000 PSI	L	42	160	1.1/2"	M52x2	60,3	69,9	94	35,7	82,6	11,0	98	104,0	127	55	13,5	(4 x) M 12 x 35
SFCE 3001-90 S 16 M	3000 PSI	L/S	16	350	1/2"	M24x1,5	30,2	38,1	54	17,5	45,6	7,5	40	42,5	60	24	8,7	(4 x) M 8 x 25
SFCE 3003-90 S 25 M	3000 PSI	L/S	25	315	1"	M36x2	44,4	52,4	70	26,2	58,4	12,0	68	71,0	95	36	10,7	(4 x) M 10 x 30
SFCE 3003-90 S 30 M	3000 PSI	L/S	30	315	1"	M42x2	44,4	52,4	70	26,2	58,4	13,5	68	69,5	96	46	10,7	(4 x) M 10 x 30
SFCE 3005-90 S 38 M	3000 PSI	L/S	38	210	1.1/2"	M52x2	60,3	69,9	94	35,7	82,6	16,0	98	99,0	130	55	13,5	(4 x) M 12 x 35
SFCE 6001-90 S 16 M	6000 PSI	S	16	400	1/2"	M24x1,5	31,8	40,5	56	18,2	47,2	8,5	40	41,5	60	24	8,7	(4 x) M 8 x 30
SFCE 6002-90 S 25 M	6000 PSI	S	25	400	3/4"	M36x2	41,3	50,8	71	23,8	60,0	12,0	62	59,0	83	36	10,7	(4 x) M 10 x 35
SFCE 6002-90 S 30 M	6000 PSI	S	30	400	3/4"	M42x2	41,3	50,8	71	23,8	60,0	13,5	62	57,5	84	46	10,7	(4 x) M 10 x 35
SFCE 6003-90 S 25 M	6000 PSI	S	25	400	1"	M36x2	47,6	57,2	81	27,8	69,6	12,0	74	73,0	97	36	*3	(4 x) M 12 x 45
SFCE 6003-90 S 30 M	6000 PSI	S	30	400	1"	M42x2	47,6	57,2	81	27,8	69,6	13,5	74	71,5	98	46	*3	(4 x) M 12 x 45
SFCE 6004-90 S 38 M	6000 PSI	S	38	315	1.1/4"	M52x2	54,0	66,7	95	31,8	77,2	16,0	96	91,0	122	55	*4	(4 x) M 14 x 50
SFCE 6005-90 S 38 M	6000 PSI	S	38	315	1.1/2"	M52x2	63,5	79,4	113	36,5	95,0	16,0	111	91,0	122	55	17,0	(4 x) M 16 x 55

PN = Nominal pressure PB = Max. operating pressure - Series: LL = Very light L = Light S = Heavy - Ø RAD = External pipe diameter

*1) = Choice of 10.5 or 12.5 - *3) = Choice of 12.0 or 12.5 - *4) = Choice of 13.5 or 14.5 - *2) = Choice of M 10 x 30 or M 12 x 40

Product versions

SFCE 90 U (3000 / 6000 PSI)	SAE flange adapter, soldered, with 2 flange halves, screw set and O-ring
SFCE 90 (3000 PSI)	SAE flange adapter, soldered, connecting piece only