

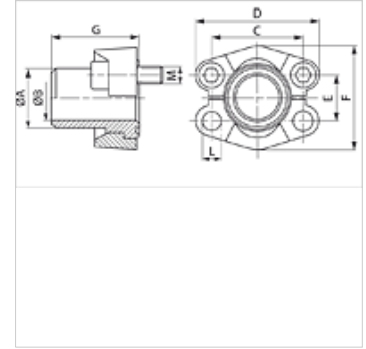
SFS M (3000 PSI)

SAE stub end

HANSA FLEX

Properties

Pressure series	3000 psi
Standard	SAE J 518 C ISO 6162
Construction	straight
Design	SAE stub end
Scope of supply	with 2 flange halves, screw set and O-ring
Material	S355J2G3 (ST52.3)



Note

The stated maximum working pressure relates to the flange. The actual working pressure is determined by the pipe (wall thickness) and the quality of the pipe.

Item

Identification	PB 10.9 (bar)	Size	Pipe	A (mm)	Ø B (mm)	C (mm)	D (mm)	E (mm)	F (mm)	G (mm)	L (mm)	M metr.	M unc
SFS 3001-S 16 M	350	1/2"	16 x 2	16,0	12,0	38,1	54	17,5	45,6	41	8,5	M 8 x 25	5/16" x 1.1/4"
SFS 3001-21.3 M	350	1/2"	21.3 x 2.9	22,0	15,5	38,1	54	17,5	45,6	41	8,5	M 8 x 30	5/16" x 1.1/4"
SFS 3002-25 M	350	3/4"	25 x 3	27,0	18,9	47,6	65	22,2	51,8	50	10,5	M 10 x 30	3/8" x 1.1/4"
SFS 3002-26.9 M	350	3/4"	26.9 x 3.9	27,0	18,9	47,6	65	22,2	51,8	50	10,5	M 10 x 30	3/8" x 1.1/4"
SFS 3003-28 M	315	1"	28 x 3	28,0	22,0	52,4	70	26,2	58,4	50	10,5	M 10 x 35	3/8" x 1.1/4"
SFS 3003-30 M	315	1"	30 x 4	30,0	22,0	52,4	70	26,2	58,4	50	10,5	M 10 x 35	3/8" x 1.1/4"
SFS 3003-33.7 M	315	1"	33.7 x 4.5	35,0	24,7	52,4	70	26,2	58,4	50	10,5	M 10 x 35	3/8" x 1.1/4"
SFS 3003-38 M	315	1"	38 x 5	38,0	28,0	52,4	70	26,2	58,4	50	10,5	M 10 x 35	3/8" x 1.1/4"
SFS 3004-38 M	250	1.1/4"	38 x 5	38,0	28,0	58,7	79	30,2	72,6	55	*1	*2	7/16" x 1.1/2"
SFS 3004-42.4 M	250	1.1/4"	42.4 x 6.3	43,0	29,7	58,7	79	30,2	72,6	55	*1	*2	7/16" x 1.1/2"
SFS 3005-38 M	200	1.1/2"	38 x 4	38,0	30,0	69,9	94	35,7	82,2	57	13,5	M 12 x 35	1/2" x 1.1/2"
SFS 3005-42 M	200	1.1/2"	42 x 5	42,0	32,0	69,9	94	35,7	82,2	57	13,5	M 12 x 35	1/2" x 1.1/2"
SFS 3005-45 M	200	1.1/2"	45 x 5	45,0	35,0	69,9	94	35,7	82,2	57	13,5	M 12 x 35	1/2" x 1.1/2"
SFS 3005-48.3 M	200	1.1/2"	48.3 x 7.1	49,0	34,0	69,9	94	35,7	82,2	57	13,5	M 12 x 35	1/2" x 1.1/2"
SFS 3006-55 M	200	2"	55 x 5	55,0	45,0	77,8	102	42,9	96,4	57	13,5	M 12 x 35	1/2" x 1.1/2"
SFS 3006-60.3 M	200	2"	60.3 x 8	60,3	44,0	77,8	102	42,9	96,4	57	13,5	M 12 x 35	1/2" x 1.1/2"
SFS 3006-65 M	200	2"	65 x 8	65,0	46,0	77,8	102	42,9	96,4	57	13,5	M 12 x 35	1/2" x 1.1/2"
SFS 3007-65 M	160	2.1/2"	65 x 6	65,0	53,0	88,9	114	50,8	108,2	58	13,5	M 12 x 40	1/2" x 1.3/4"
SFS 3007-70 M	160	2.1/2"	70 x 7.5	70,0	55,0	88,9	114	50,8	108,2	58	13,5	M 12 x 40	1/2" x 1.3/4"
SFS 3007-76.1 M	160	2.1/2"	76.1 x 7.1	74,0	62,0	88,9	114	50,8	108,2	58	13,5	M 12 x 40	1/2" x 1.3/4"
SFS 3008-80 M	138	3"	80 x 6	80,0	68,0	106,4	135	61,9	130,6	60	16,7	M 16 x 45	5/8" x 2"
SFS 3008-88.9 M	138	3"	88.9 x 7	90,0	73,0	106,4	135	61,9	130,6	60	16,7	M 16 x 45	5/8" x 2"
SFS 3009-100 M	35	3.1/2"	100 x 6	100,0	88,0	120,7	152	69,9	139,0	60	17,0	M 16 x 45	5/8" x 2"
SFS 3009-88.9 M	35	3.1/2"	88.9 x 8	90,0	73,0	120,7	152	69,9	139,0	60	17,0	M 16 x 45	5/8" x 2"
SFS 3010-110 M	35	4"	110 x 6	110,0	98,0	130,2	162	77,8	152,0	60	17,0	M 16 x 50	5/8" x 2"
SFS 3010-114.3 M	35	4"	114.3 x 8.8	115,0	96,7	130,2	162	77,8	152,0	60	17,0	M 16 x 50	5/8" x 2"
SFS 3011-133 M	35	5"	133 x 6.5	133,0	120,0	152,4	184	92,1	180,0	60	17,0	M 16 x 50	5/8" x 2"
SFS 3011-139.7 M	35	5"	139.7 x 10	140,0	120,0	152,4	184	92,1	180,0	60	17,0	M 16 x 50	5/8" x 2"

Ø = External pipe diameter – Series: LL = Very light L = Light S = Heavy – PN = Nominal pressure PB = Max. operating pressure

*1) = Choice of 10.5 or 12.5 – *2) = Choice of M 10 x 30 or M 12 x 35

Product versions

SFS (3000 PSI)	SAE stub end, short stub end only
SFS U (3000 PSI)	SAE stub end, with 2 flange halves, screw set and O-ring