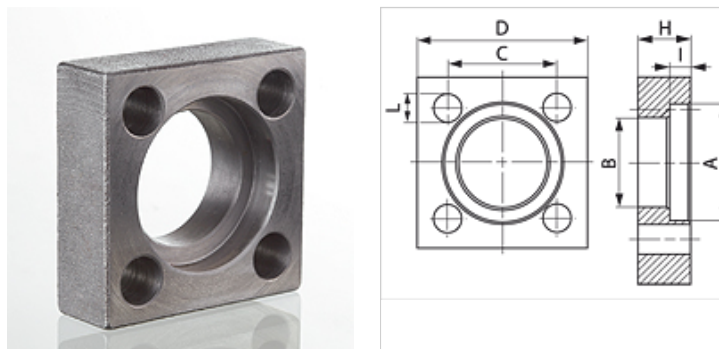


# VK ST 400

## Cetop square flange

### Properties

<b>Pressure series</b>	6000 psi
<b>Design</b>	Cetop square flange
<b>Construction</b>	straight
<b>Standard</b>	CETOP RP 63H ISO 6164
<b>Mounting</b>	Screw bore hole
<b>Material</b>	S355J2G3 (C45)
<b>Surface</b>	black oiled



### Note

The stated maximum working pressure relates to the flange. The actual working pressure is determined by the pipe (wall thickness) and the quality of the pipe.

Recommended screws are listed in the columns M (metr) and M (unc).

### Item

Identification	Pressure PB (bar)	Size	A (mm)	H (mm)	I (mm)	Ø B (mm)	C (mm)	D (mm)	L (mm)	M metr.
VK 12 ST 400	400	1/2"	32,5	17	7,4	24,6	29,7	45	8,5	M 8 x 30
VK 1 ST 400	400	1"	48,4	24	9,1	38,5	43,8	65	11,0	M 10 x 40
VK 112 ST 400	400	1.1/2"	64,3	32	12,2	51,6	60,0	85	15,0	M 14 x 55
VK 114 ST 400	400	1.1/4"	54,8	28	9,9	44,5	51,6	75	13,0	M 12 x 50
VK 2 ST 400	400	2"	80,2	40	12,2	67,6	69,4	100	17,0	M 16 x 65
VK 212 ST 400	400	2.1/2"	95,0	45	16,1	80,5	83,4	120	21,0	M 20 x 75
VK 312 ST 400	400	3.1/2"	120,0	52	17,5	102,5	102,5	140	21,0	M 20 x 90

PN = Nominal pressure PB = Max. operating pressure