

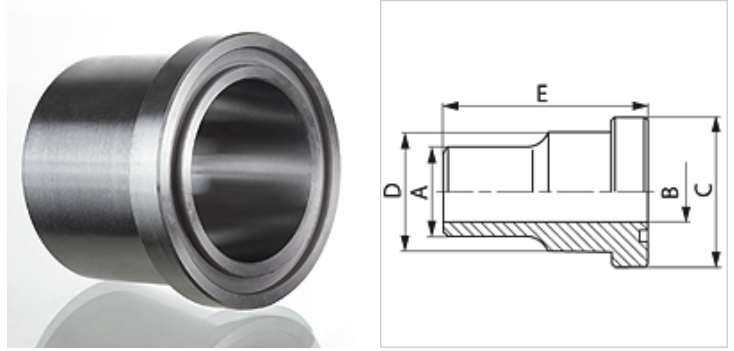
VKS ST 250

Cetop square flange, short stub end

HANSA FLEX

Properties

Design	Cetop square flange
Construction	straight
Standard	CETOP RP 63H ISO 6164
Material	S355J2G3 (ST52.3)
Surface	black oiled



Item

Identification	Pressure PB (bar)	Size	A (mm)	Ø B (mm)	C (mm)	D (mm)	E (mm)
VKS 114 ST 250	250	1.1/4"	43	32	50,8	43	45
VKS 2 ST 250	250	2"	62	47	71,4	62	60

PN = Nominal pressure PB = Max. operating pressure – Series: LL = Very light L = Light S = Heavy