

WA

Pump connection (2 hole), angle 90°

HANSA FLEX

Properties

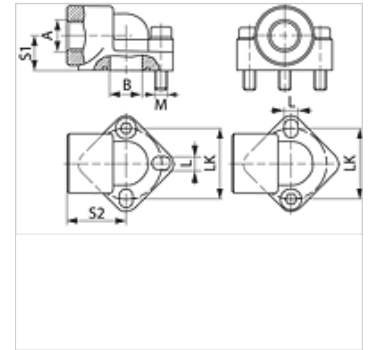
Design Pump connection (2 hole)

Construction Angle 90°

Mounting with metric screw set

Scope of supply with metric screw set and O-ring

Material Aluminium



Note

The stated maximum working pressure relates to the flange. The actual working pressure is determined by the pipe (wall thickness) and the quality of the pipe.

Item

Identification	Pressure PB (bar)	LK (mm)	A	Ø B (mm)	S1 (mm)	S2 (mm)	L (mm)	Screws	OR
WA 3.5 114	120	62,0	G 1.1/4" -11	32	33,5	57	13	(2 x) M 12 x 35	35.80 x 3.53

PN = Nominal pressure PB = Max. operating pressure