

### Properties

**Design** Pump connection (3 hole)

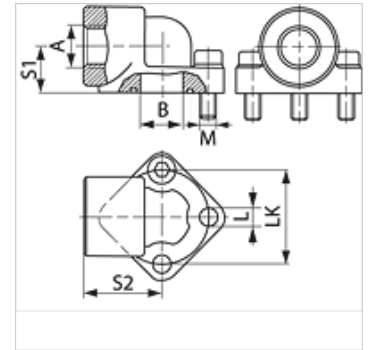
**Construction** Angle 90°

**Mounting** with metric screw set

**Scope of supply** with metric screw set and O-ring

**Material** Steel ST 42.3

**Surface** electro galvanised



### Item

Identification	Pressure PB (bar)	LK (mm)	A	B (mm)	S1 (mm)	S2 (mm)	L (mm)	Screws	OR
<b>WDS 0.5 12</b>	315	26	G 1/2" -14	11,0	17	24	5,3	(3 x) M 5 x 20	14.00 x 1.78
<b>WDS 0.5 38</b>	315	26	G 3/8" -19	11,0	17	24	5,3	(3 x) M 5 x 20	14.00 x 1.78
<b>WDS 1 12</b>	315	30	G 1/2" -14	12,0	17	24	6,3	(3 x) M 6 x 20	15.88 x 2.62
<b>WDS 1 38</b>	315	30	G 3/8" -19	12,0	17	24	6,3	(3 x) M 6 x 20	15.88 x 2.62
<b>WDS 2 12</b>	315	40	G 1/2" -14	19,0	21	36	8,5	(3 x) M 8 x 25	23.81 x 2.62
<b>WDS 2 34</b>	315	40	G 3/4" -14	19,0	21	36	8,5	(3 x) M 8 x 25	23.81 x 2.62
<b>WDS 3 100</b>	315	51	G 1" -11	24,0	26	45	10,5	(3 x) M 10 x 30	31.42 x 2.62
<b>WDS 3 34</b>	315	51	G 3/4" -14	26,0	26	45	10,5	(3 x) M 10 x 30	31.42 x 2.62
<b>WDS 3 B 100</b>	315	56	G 1" -11	26,0	26	45	10,5	(3 x) M 10 x 30	31.42 x 2.62
<b>WDS 3 B 34</b>	315	56	G 3/4" -14	26,0	26	45	10,5	(3 x) M 10 x 30	31.42 x 2.62

PN = Nominal pressure PB = Max. operating pressure