

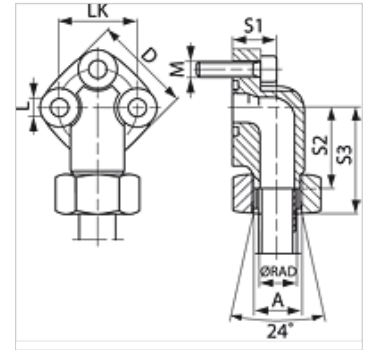
# WF LK 3 M

Pump connection (3 hole), angle 90°

**HANSA FLEX**

## Properties

<b>Design</b>	Pump connection (3 hole)
<b>Construction</b>	Angle 90°
<b>Mounting</b>	with metric screw set
<b>Scope of supply</b>	with screw set, O-ring, nut and cutting ring
<b>Material</b>	Malleable cast iron GTW 40
<b>Surface</b>	electro galvanised



## Item

Identification	Series	Ø RAD (mm)	Pressure PB (bar)	LK (mm)	A	D (mm)	S1 (mm)	S2 (mm)	S3 (mm)	L (mm)	Screws	OR
WF 30 LK L 12-3 M	L	12	250	30	M18x1,5	38	19	30,0	46,5	6,4	(3 x) M 6 x 25	16.0 x 2.5
WF 30 LK L 15-3 M	L	15	250	30	M22x1,5	38	19	30,0	46,0	6,4	(3 x) M 6 x 25	16.0 x 2.5
WF 40 LK L 22-3 M	L	22	160	40	M30x2	48	25	35,5	52,5	8,4	(3 x) M 8 x 30	24.0 x 2.5
WF 40 LK L 28-3 M	L	28	160	40	M36x2	48	25	35,5	52,5	8,4	(3 x) M 8 x 30	24.0 x 2.5

Series: LL = Very light L = Light S = Heavy - PN = Nominal pressure PB = Max. operating pressure - Ø RAD = External pipe diameter

## Product versions

**WF LK 3** Pump connection (3 hole), angle 90°, with metric screw set and O-ring